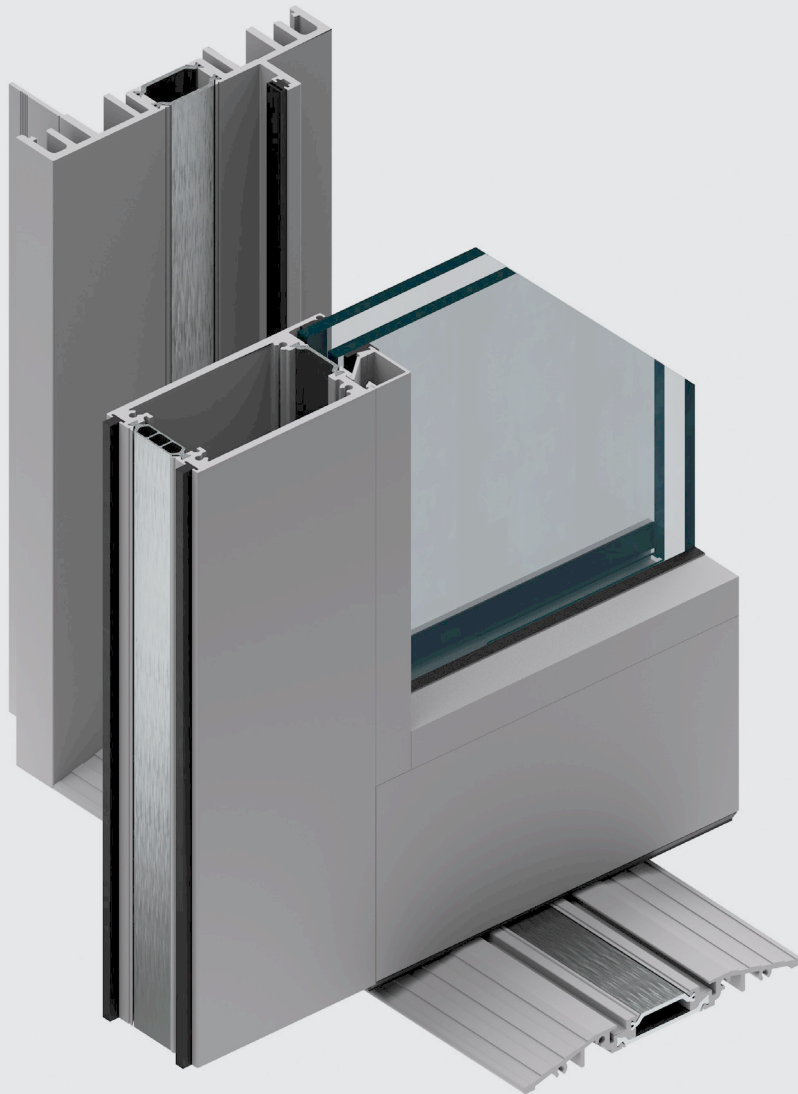


Series 7980 Pivot Door



Build Better

PERFORMANCE LINE: Our Series 7000 family of moving glass walls and windows addresses energy and structural requirements while promoting contemporary design.

Series 7980 Pivot Door

The Series 7980 Pivot Door creates what may be the most impressive way to customize an entryway. Its wide glass panel and attractive aluminum frame connotes contemporary grandeur. For commercial use, a 5.975" frame depth is comparable to that of typical storefront systems. Even massive doors weighing up to 500 pounds open with ease. The door is available in widths up to 96" and heights up to 144". The door is available in in-swing or out-swing configurations and can be partnered with any of our window styles.

ENERGY EFFICIENCY

A .30 U-value for standard low-E, argon-filled dual-pane glass gives the door premium energy efficiency. Glass can be customized in a variety of coatings, tints, and thicknesses for improved privacy, protection, and thermal efficiency. Our signature aluminum extrusion design further reduces energy consumption. The Series 7980 features Energy Star-qualified options.

HARDWARE

Our custom pivot hardware supports the weight of the door on the bottom arm, creating less stress on the frame and allowing the door to swing smoothly and effortlessly. The Series 7980 uses a low-profile commercial threshold capable of meeting ADA requirements. It includes a Type C lock, top and bottom roller catches to help pull the door in tight, and a 48" tall ladder-style pull handle.

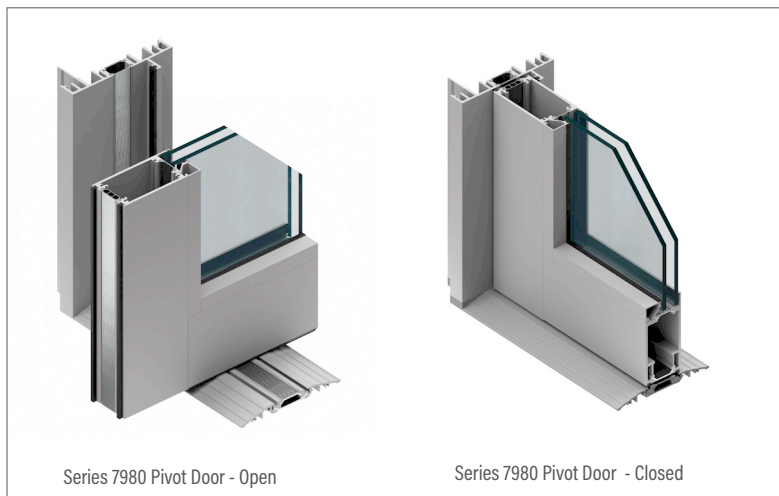
FINISHES AND COLORS

Finishes are available in-stock or as designer selections, and they can be customized to match nearly any color. Split finishes are available in many combinations. Bronze Anodized and Satin Anodized come standard with a Class 1 coating thickness for increased smoothness and durability. Our designer colors include a high-quality paint finish that conforms to a minimum rating of AAMA-2605, currently the highest rating for organic finishes.

PERFORMANCE

Frame Depth	5 7/8"
AAMA Product Designation (AAMA/WDMA/CSA101/I.S.2/A440 Designation)	N/A
Test Configuration	36" x 96" X Swing-Out
Air Infiltration (Per ASTM E 283)	.22 cfm/sf @1.57 psf
CSA A440 Air	N/A
Water Resistance (Per ASTM E 547)	0.00 psf
Uniform Load Deflection (Per ASTM E 330)	50 psf
Uniform Load Structural (Per ASTM E 330)	75 psf
Forced Entry Resistance	AAMA 1304-02
U-Factor (Per NFRC 100)*	0.30
CR (Per NFRC 500)*	66
CRF Frame (Per AAMA 1503)	73

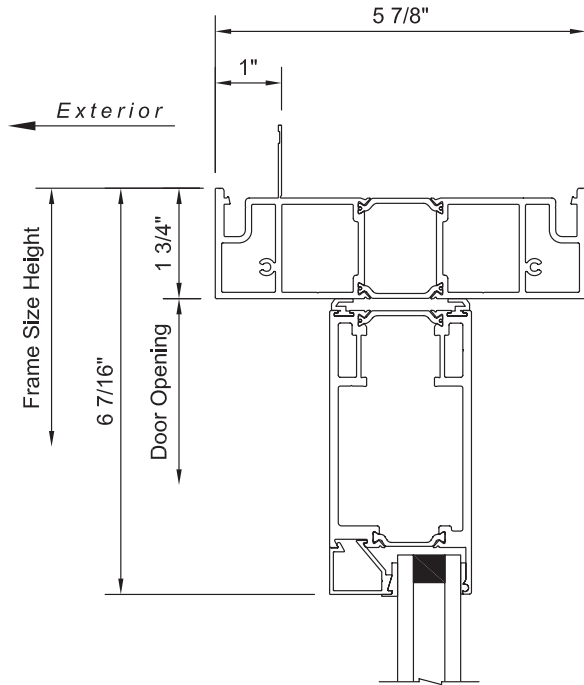
Actual values may vary depending on product specifications and configuration.
*Glass Makeup = 1" OA E366/Argon/Clear



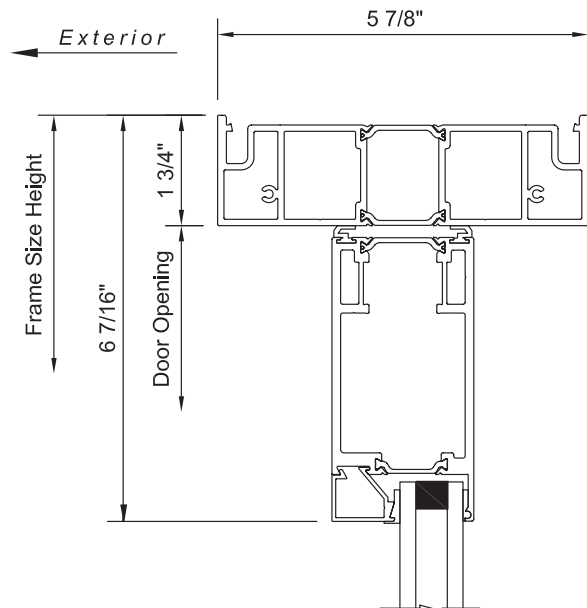
Series 7980 Pivot Door - Open

Series 7980 Pivot Door - Closed

Series 7980 Pivot Door

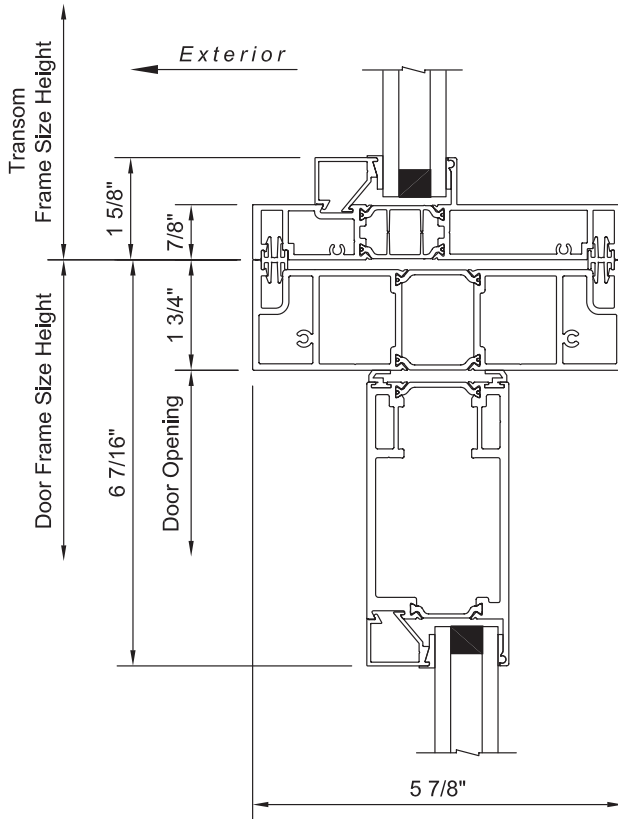


head - nail in frame

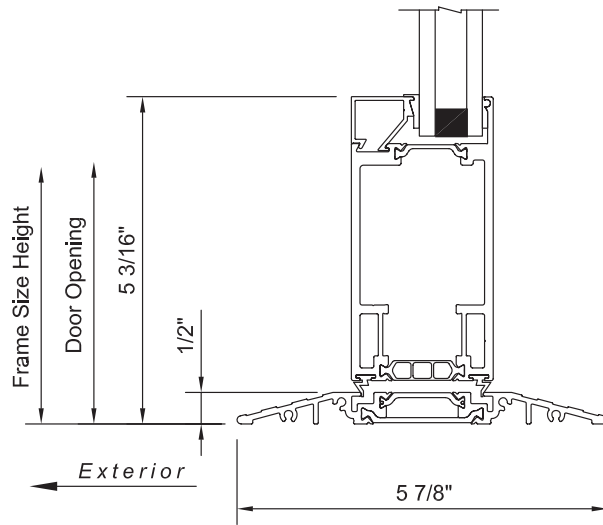


head - equal leg block frame

Series 7980 Pivot Door

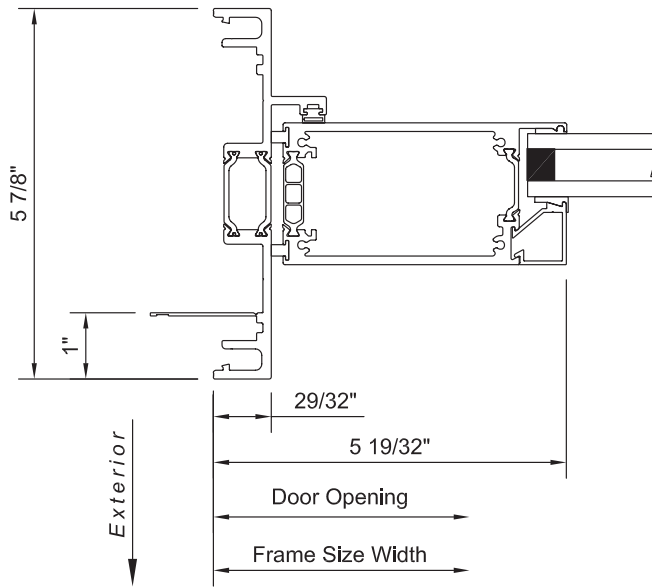


mull @ door
@ direct set window transom

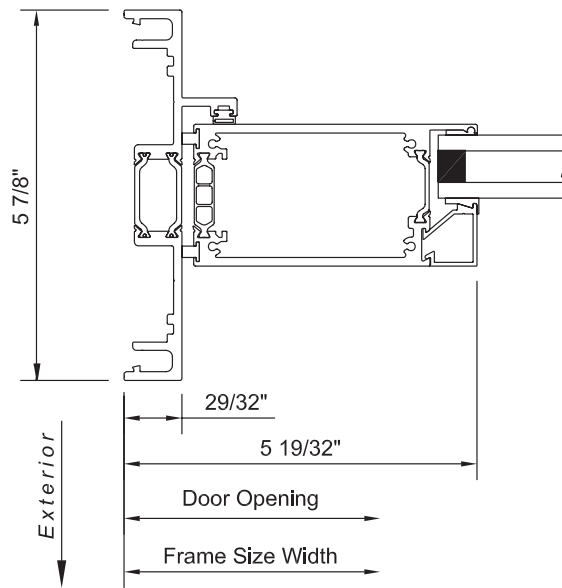


threshold

Series 7980 Pivot Door

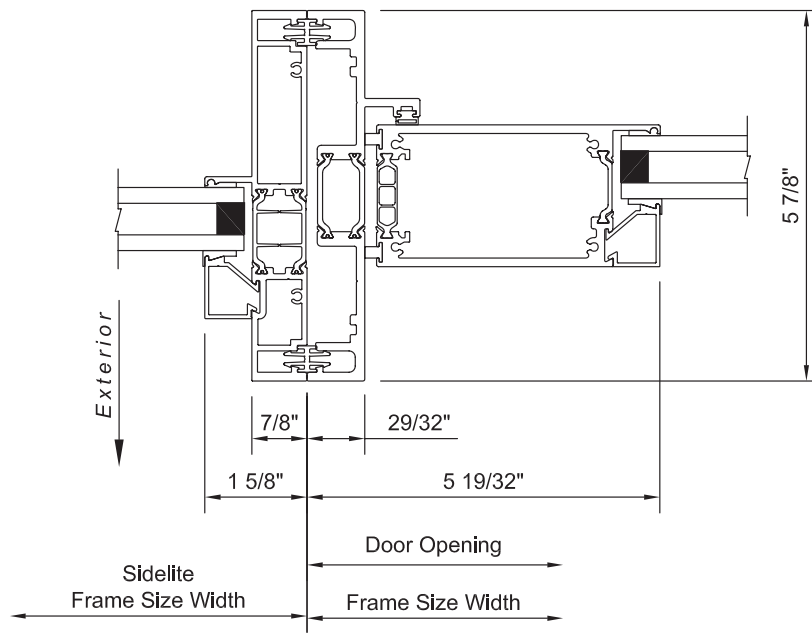


jamb - nail-fin frame



jamb - equal leg block frame

Series 7980 Pivot Door



mull @ door
@ direct set window sidelite