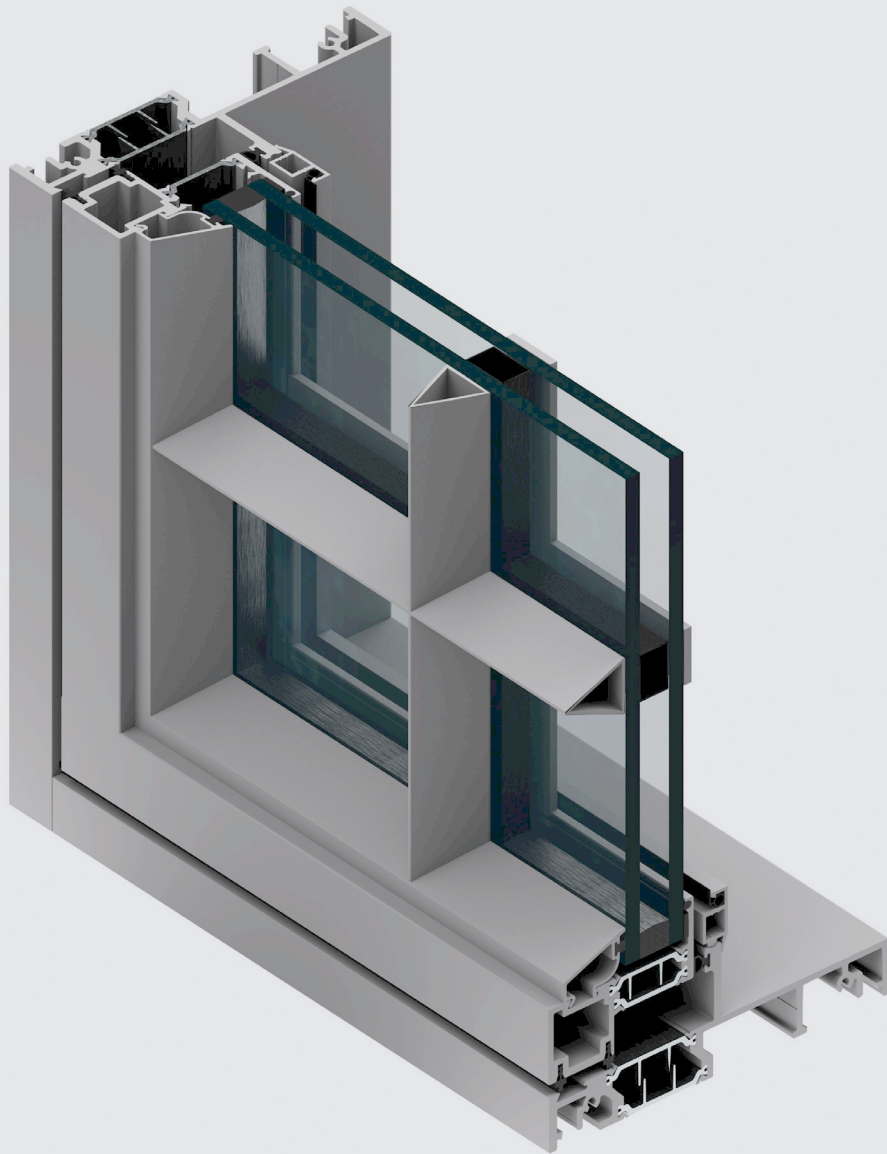


Series 7670s Casement Window



Build Better

SIMULATED STEEL LINE: Energy-smart, design-forward aluminum doors and windows that look like steel but are far more affordable.

Series 7670s Casement Window

The Series 7670s Casement Window, which hinges on the side and swings outward to the left or right, combines clean design and optimal performance with a commitment to superior craftsmanship. Designed with a 5.875" frame depth, it can be integrated with our hinged doors, sliding doors, and fixed window walls for maximum views and ventilation. It is available in widths from 18" to 36" and heights from 18" to 95.5". The window is tested for air, water, and structural performance and is certified by the NFRC and AAMA. Narrow sightlines, beveled glass stops, and coped muntin bars replicate the profiles of historic buildings, universities, and commercial projects. The aluminum features high-quality anodized or painted finishes.

ENERGY EFFICIENCY

A .35 U-value for standard low-E, dual-pane glass gives the window excellent energy efficiency. Glass can be customized in a variety of coatings, tints, and thicknesses for improved privacy, protection, and thermal efficiency. Plus, a signature aluminum extrusion design utilizing custom Insulbar technology further reduces energy consumption. The windows comply with California's strict Title 24 requirements.

FEATURES

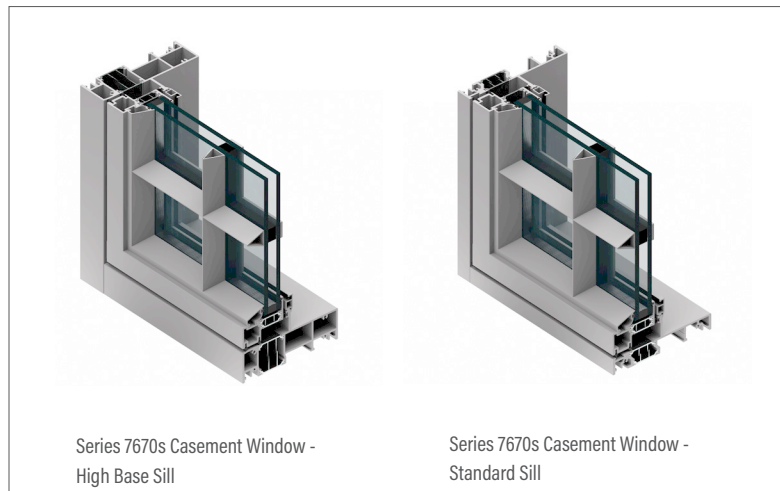
Butt hinges and a roto operator enable easy operation. All fasteners are stainless steel, and the Series 7670s Casement features a hidden multi-point locking system. Designed to create a sleek profile, the Series 7670s features new hinge hardware and contemporary handles. Durable aluminum-frame screens complement the window's clean style. Screen frames match the window frame's color and are mounted to the interior.

PUSH-OUT OPTION

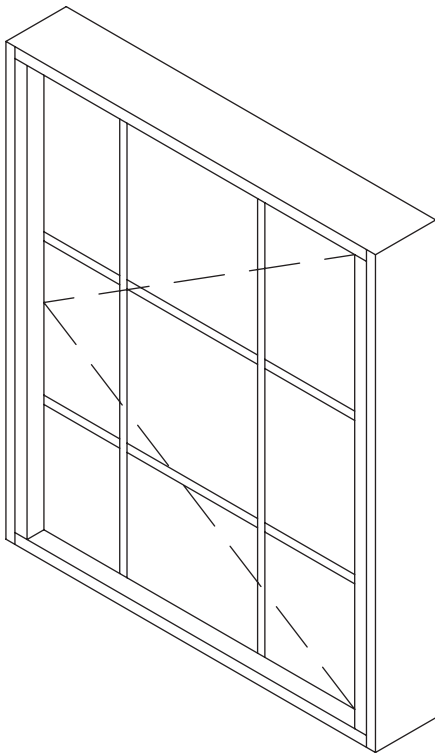
The Series 7670s Push-Out Casement opens easily with the turn of the handle and a light push. Stainless steel four-bar hinges with an adjustable tensioning device keep the sash in place when open. It is available in widths from 16" to 36" and heights from 16" to 72".

PERFORMANCE

Frame Depth	5 7/8"
AAMA Product Designation (AAMA/WDMA/CSA101/I.S.2/A440 Designation)	CW-PG50-36x94-C
Test Configuration	36" x 94" X
Air Infiltration (Per ASTM E 283)	.02 cfm/sf @1.57 psf
CSA A440 Air	A3
Water Resistance (Per ASTM E 547)	7.5 psf
Uniform Load Deflection (Per ASTM E 330)	50 psf
Uniform Load Structural (Per ASTM E 330)	75 psf
Forced Entry Resistance	ASTM F588 Type B and CAWM 301 Type II
U-Factor (Per NFRC 100)*	0.35
CR (Per NFRC 500)*	62
CRF Frame (Per AAMA 1503)	70
Actual values may vary depending on product specifications and configuration. *Glass Makeup = 1" OA E366/Argon/Clear	



Series 7670s Casement Window



Simulated Steel Features

- .35 U-value for standard low-E, argon-filled dual-pane glass
- .32 U-value for Cardinal i89 low-E, argon-filled dual-pane glass
- Available in widths from 18" to 36" and heights from 18" to 95.5"
- All-weather coated or high-performance glass from Cardinal IG
- Glass can be customized and includes options such as laminated glass, solar- and glare-control glass, enhanced winter performance glass, and low-maintenance glass
- Pre-applied Cardinal Preserve film protects glass during installation
- Frame depth of 5.875"
- Performance rating of CW-PG50
- Extruded aluminum screens
- In-stock, designer, split, and custom finishes
- Title 24 compliant (California)

Series 7670s Casement Window

