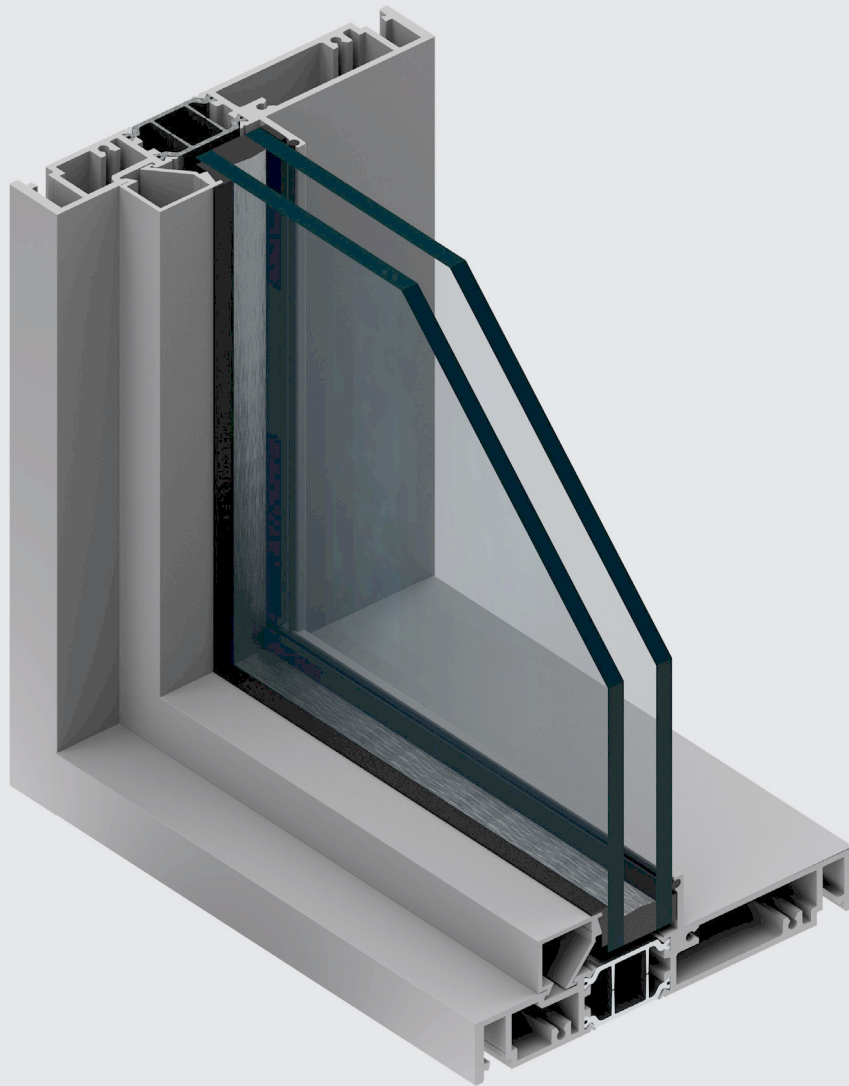


Series 7630 Window Wall



Build Better

PERFORMANCE LINE: Our Series 7000 family of moving glass walls and windows addresses energy and structural requirements while promoting contemporary design.

Series 7630 Window Wall

The Series 7630 Window Wall provides you the opportunity to replace a traditional exterior wall with huge panels of low-E dual-pane glass. With its ability to integrate with various ventilating window styles and our hinged and sliding doors, it's flexible as well as functional. Available up to heights of 16 feet (dependent on application) and with its 5.875" frame depth, the window wall allows any of our Series 7000 sliding doors, hinged doors, and ventilating windows to be directly mulled to it. The window wall is tested for durability and features a performance grade of CW-PG100 at sizes up to 60" by 120". Narrow sightlines result in a clean, contemporary look.

ENERGY EFFICIENCY

A .29 U-value for standard low-E, dual-pane glass gives the door excellent energy efficiency. Glass can be customized in a variety of coatings, tints, and thicknesses for improved privacy, protection, and thermal efficiency. Our signature aluminum extrusion design further reduces energy consumption. The Series 7630 features Energy Star-qualified options and complies with California's rigorous Title 24 requirements.

OPTIONS

The standard base sill is .875" tall. An optional high base sill is 1.75" tall and is perfect for window walls that sit directly on a finished floor. The standard stop features a classic stepped profile with removable stops for ease of re-glazing, and a weeped glazing pocket.

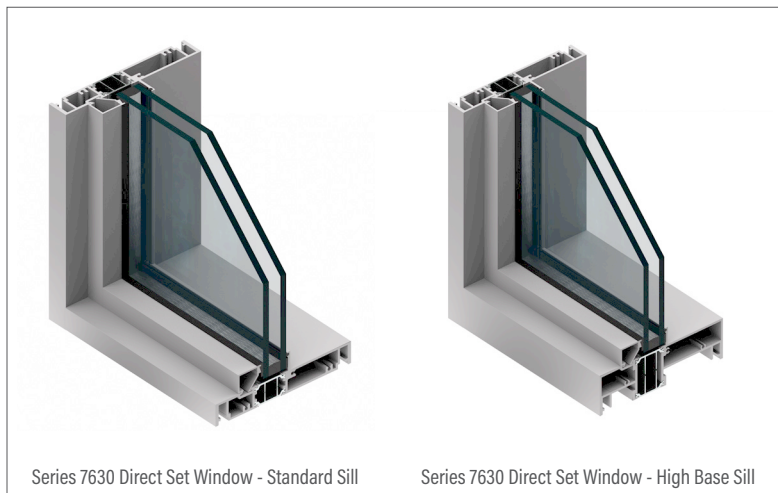
FINISHES AND COLORS

Finishes are available in-stock or as designer selections, and they can be customized to match nearly any color. Split finishes are available in many combinations. Bronze Anodized and Satin Anodized come standard with a Class 1 coating thickness for increased smoothness and durability. Our designer colors include a high-quality paint finish that conforms to a minimum rating of AAMA-2605, currently the highest rating for organic finishes.

PERFORMANCE

Frame Depth	5 7/8"
AAMA Product Designation (AAMA/WDMA/CSA101/I.S.2/A440 Designation)	CW-PG100-60x120-FW
Test Configuration	60" x 120" O
Air Infiltration (Per ASTM E 283)	.01 cfm/sf @1.57 psf
CSA A440 Air	Fixed
Water Resistance (Per ASTM E 547)	12.1 psf
Uniform Load Deflection (Per ASTM E 330)	100 psf
Uniform Load Structural (Per ASTM E 330)	150 psf
Forced Entry Resistance	ASTM F588 Type D Grade 40
U-Factor (Per NFRC 100)*	0.29
CR (Per NFRC 500)*	66
CRF Frame (Per AAMA 1503)	75

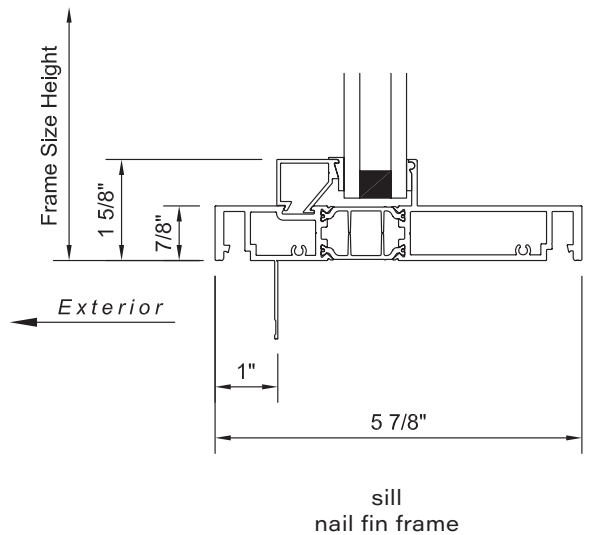
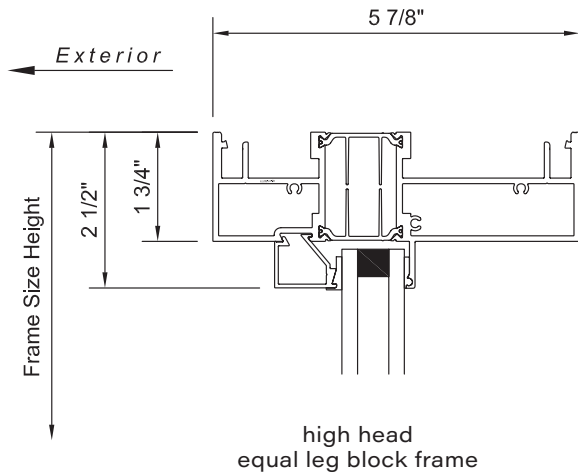
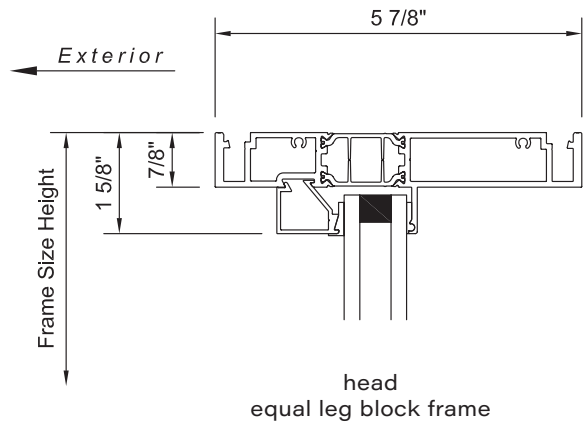
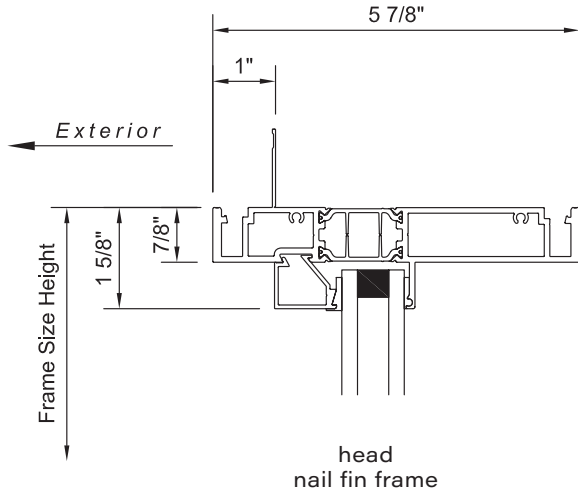
Actual values may vary depending on product specifications and configuration.
*Glass Makeup = 1" OA E366/Argon/Clear



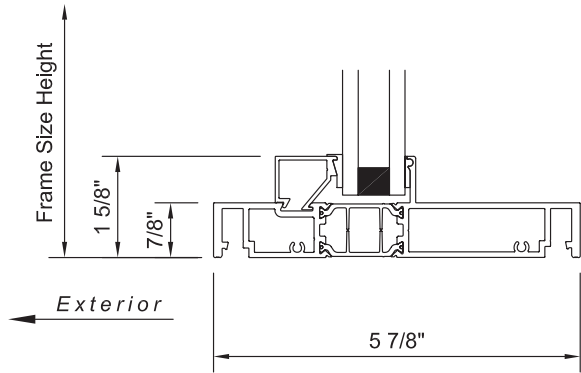
Series 7630 Direct Set Window - Standard Sill

Series 7630 Direct Set Window - High Base Sill

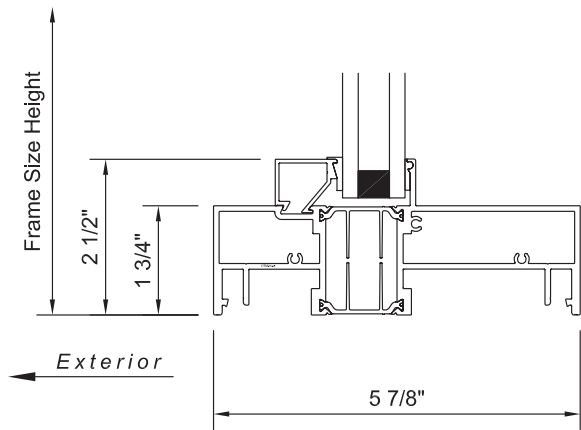
Series 7630 Window Wall



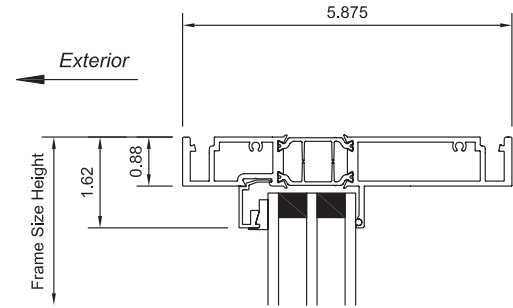
Series 7630 Window Wall



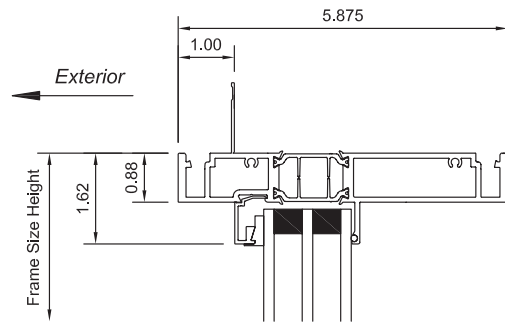
sill
equal leg block frame



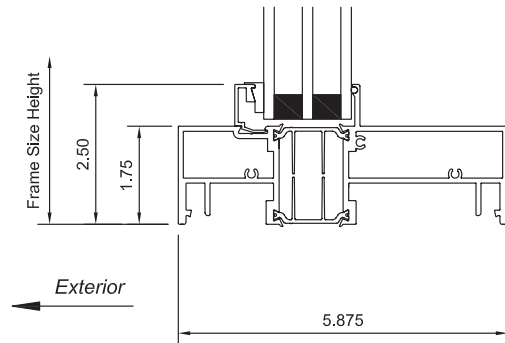
high sill
equal leg block frame



head
equal leg frame
triple pane

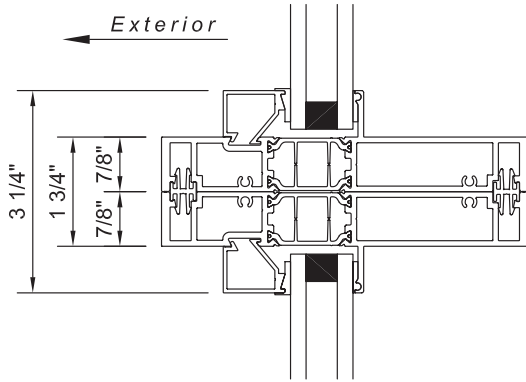


head
nail fin frame
triple pane

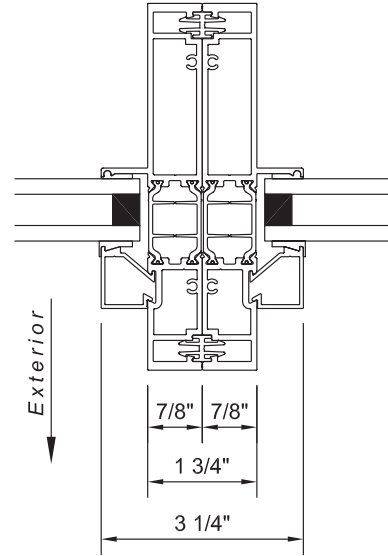


high sill
equal leg frame
triple pane

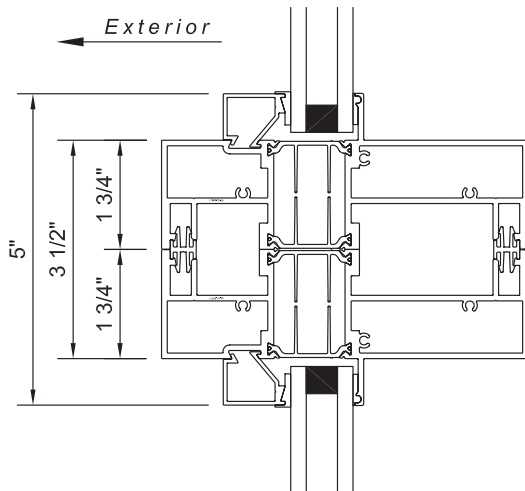
Series 7630 Window Wall



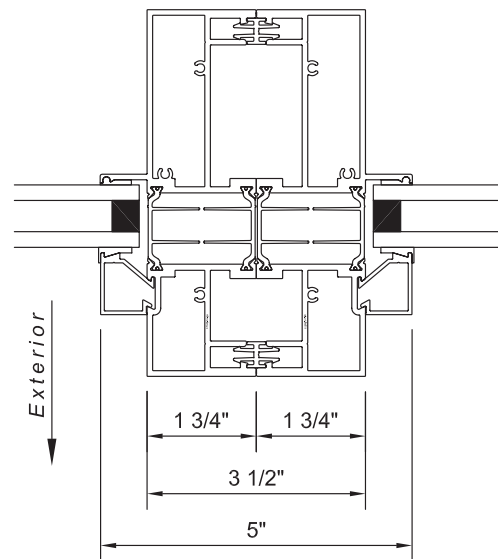
1 3/4" horizontal mull



1 3/4" vertical mull



3 1/2" horizontal mull



3 1/2" vertical mull

Series 7630 Window Wall

