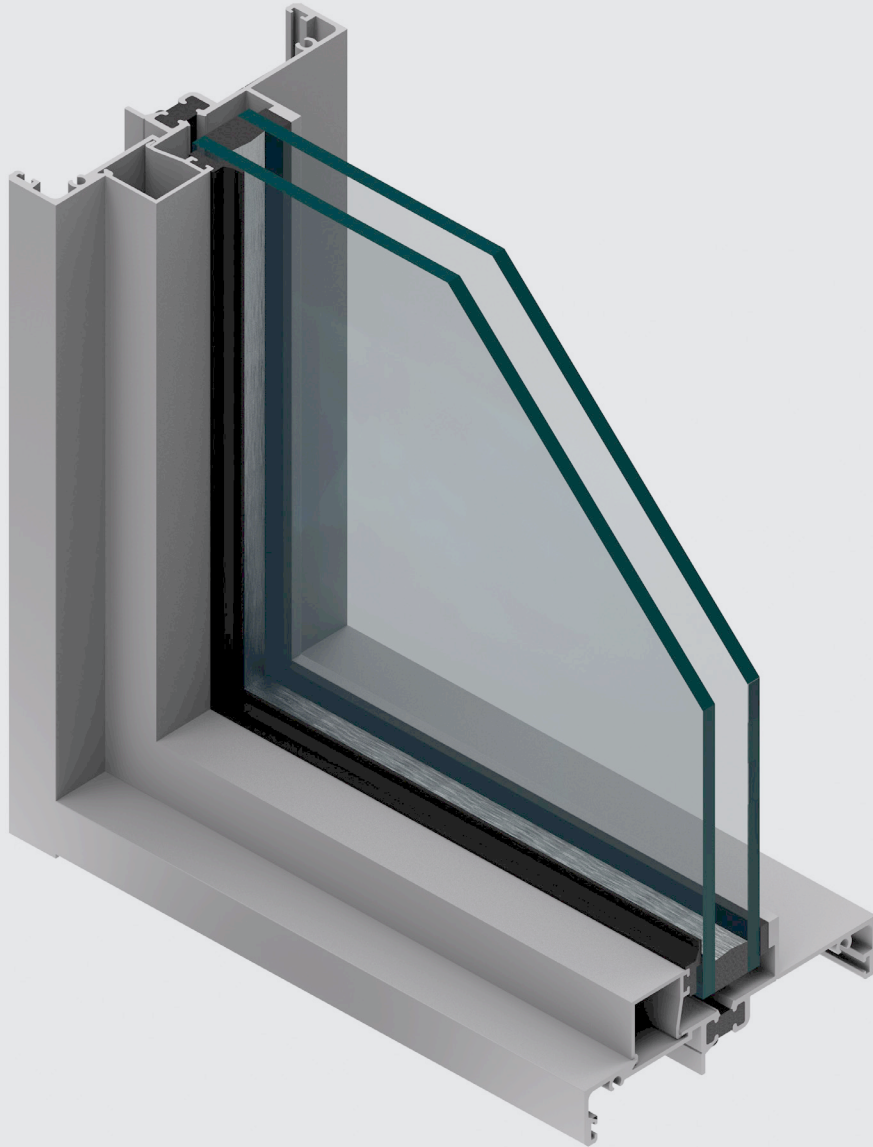


Series 600 Window Wall



Build Better

CLASSIC LINE: High-quality moving glass walls and windows that combine exceptional performance with clean design.

Series 600 Window Wall

The Series 600 Window Wall provides you the opportunity to replace a traditional exterior wall with huge panels of low-E dual-pane glass. With its ability to integrate with various ventilating window styles and our hinged, folding and sliding doors, it's flexible as well as functional. Available up to 60 square feet in countless configurations, the window wall is tested for durability and features a high design pressure rating in most sizes. Narrow sightlines result in a clean, contemporary look.

ENERGY EFFICIENCY

A .35 U-value for standard low-E, dual-pane glass gives the door excellent energy efficiency. Glass can be customized in a variety of coatings, tints, and thicknesses for improved privacy, protection, and thermal efficiency. The classic aluminum frame is perfect for moderate climates and the thermally broken aluminum frame is designed for cold climates.

OPTIONS

The standard base sill is .75" tall. An optional high base sill is 1.75" tall and is perfect for window walls that sit directly on a finished floor. The standard stop features a classic stepped profile with removable stops for ease of re-glazing, and a weeped glazing pocket. An optional flush stop provides the look of a typical storefront.

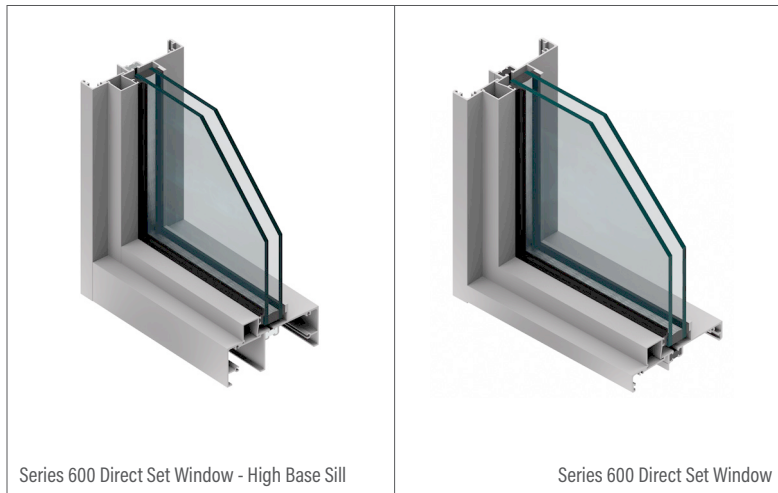
FINISHES AND COLORS

Finishes are available in-stock or as designer selections, and they can be customized to match nearly any color. Bronze Anodized and Satin Anodized come standard with a Class 1 coating thickness for increased smoothness and durability. Our designer colors include a high-quality paint finish that conforms to a minimum rating of AAMA-2605, currently the highest rating for organic finishes.

PERFORMANCE

Frame Depth	4 1/2"
AAMA Product Designation (AAMA/WDMA/CSA101/I.S.2/A440 Designation)	CW-PG50-60x120-FW
Test Configuration	60" x 120" O
Air Infiltration (Per ASTM E 283)	.00 cfm/sf @1.57 psf
CSA A440 Air	Fixed
Water Resistance (Per ASTM E 547)	7.5 psf
Uniform Load Deflection (Per ASTM E 330)	50 psf
Uniform Load Structural (Per ASTM E 330)	75 psf
Forced Entry Resistance	ASTM F842 Type D Grade 10 CAWM 301 Type V
U-Factor (Per NFRC 100)*	0.35
CR (Per NFRC 500)*	44
CRF Frame (Per AAMA 1503)	31

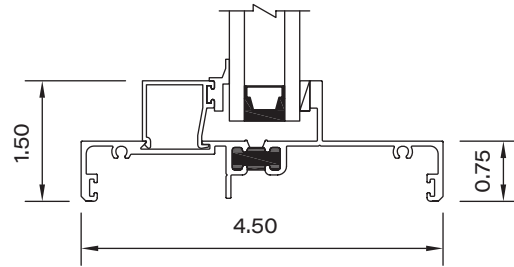
Actual values may vary depending on product specifications and configuration.
*Glass Makeup = 1" OA E366/Argon/Clear



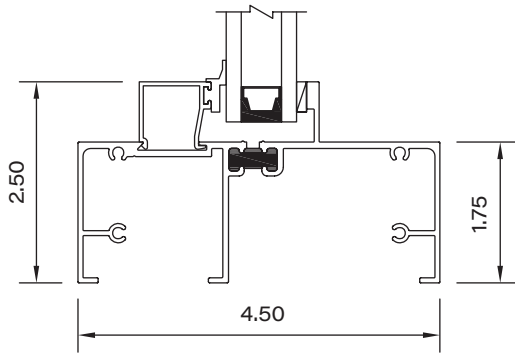
Series 600 Direct Set Window - High Base Sill

Series 600 Direct Set Window

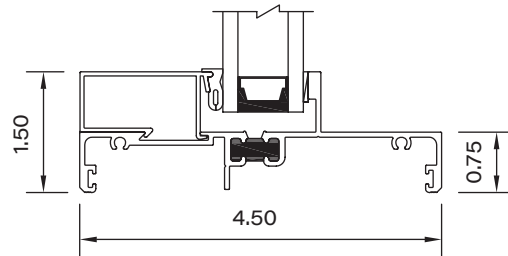
Series 600 Window Wall



standard sill

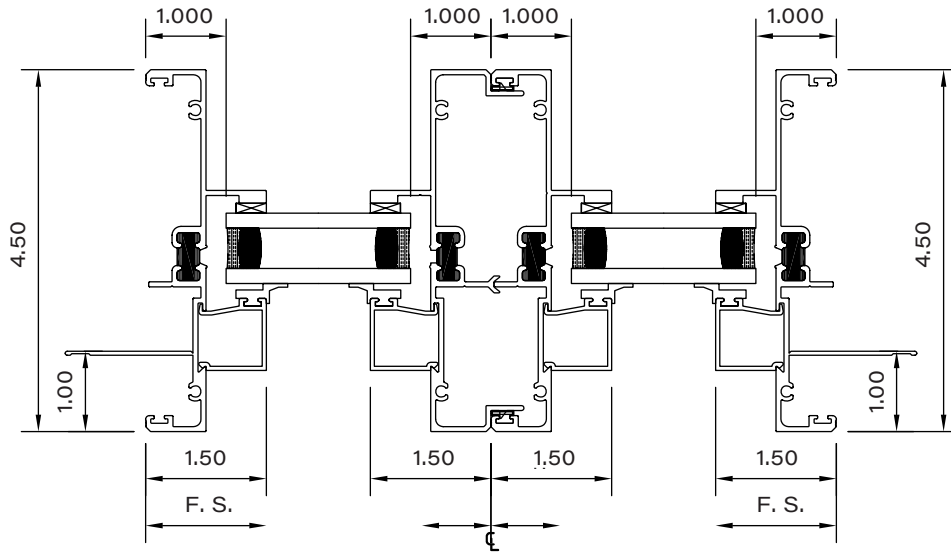


highbase sill

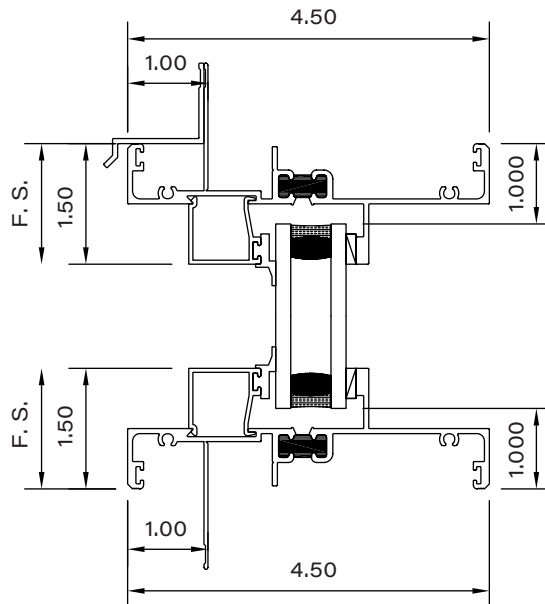


standard sill with flush stop

Series 600 Window Wall



section at jambs



section at head/sill