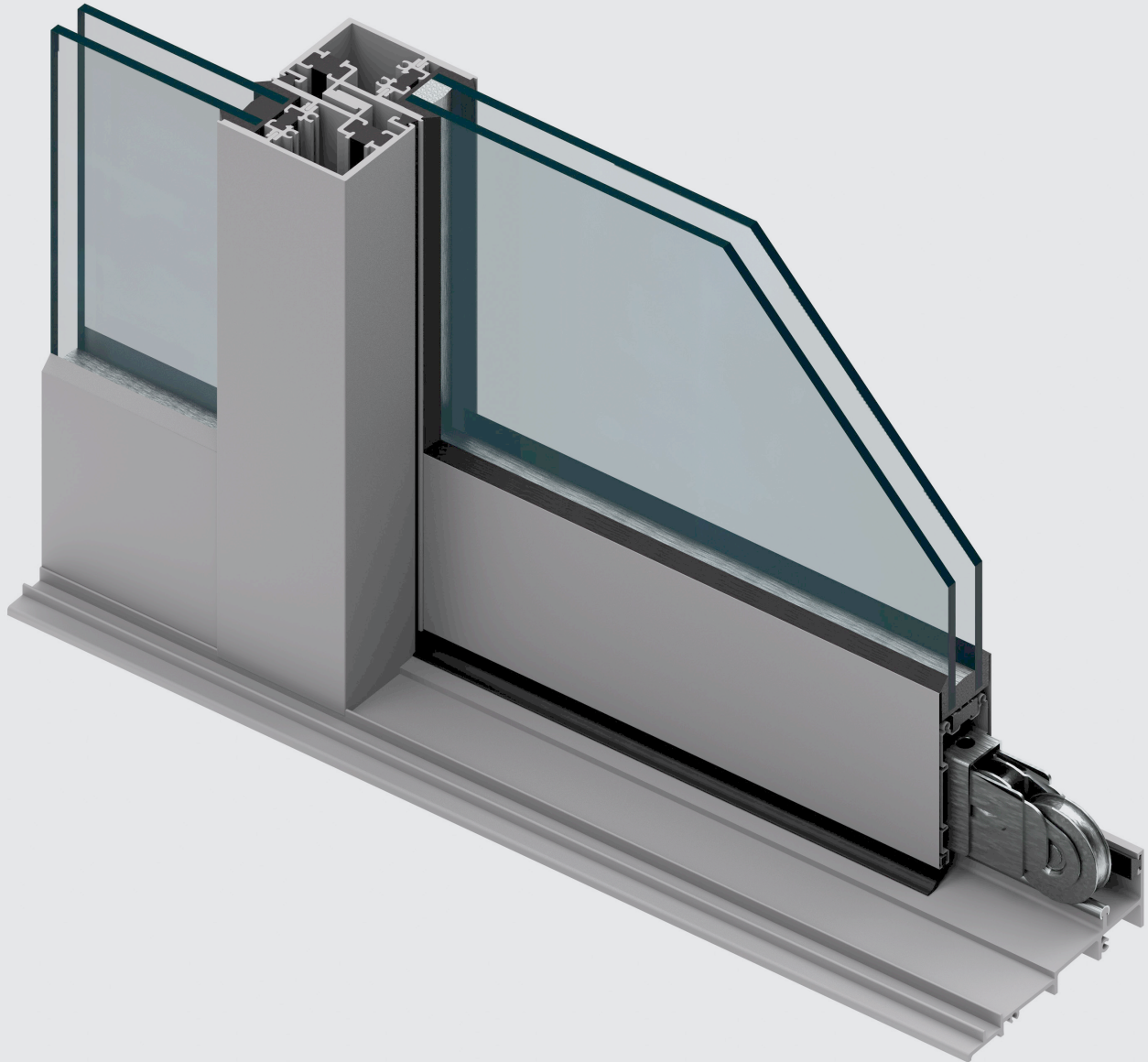


Series 600 Sliding Glass Door



Build Better

CLASSIC LINE: High-quality moving glass walls and windows that combine exceptional performance with clean design.

Series 600 Sliding Glass Door

The Series 600 Sliding Glass Door features large, unobstructed rolling glass panels that maximize natural daylight and views. Available with panels up to 12 feet tall (or a maximum of 60 square feet), in single opening and bi-parting configurations. It is easy to operate, thanks to sealed stainless steel ball bearing rollers, and the aluminum frame's clean lines, narrow profile, and high-quality anodized or painted finishes deliver a contemporary aesthetic that seamlessly blends into nearly any space.

ENERGY EFFICIENCY

A .41 U-value for standard low-E, argon-filled dual-pane glass from Cardinal IG gives the door premium energy efficiency. It is compliant with California's rigorous Title 24 requirements and can be customized in a variety of configurations. The aluminum frame and panels are thermally broken to reduce heat and cold transfer. NFRC labeling is included to comply with energy code requirements.

HARDWARE

The sealed stainless steel ball bearing rollers are AAMA-certified and include a standard 1.81" size. Our optional 3" Monster Roller is capable of handling more than twice the weight of the largest panel. A hidden stainless-steel multi-point lock secures the sliding panels.

OPTIONS

Sill options include a 1.5" or 1.75" water barrier height offering design flexibility with varying performance ratings. Handle options include a flush-mounted handle, for a clean aesthetic; the premium handle, featuring a minimal one-piece design and comfortable grip; and the contemporary handle, with its more angular appearance. Each handle has an optional keyed cylinder. An optional heavy-duty aluminum frame panel screen provides optimal ventilation.

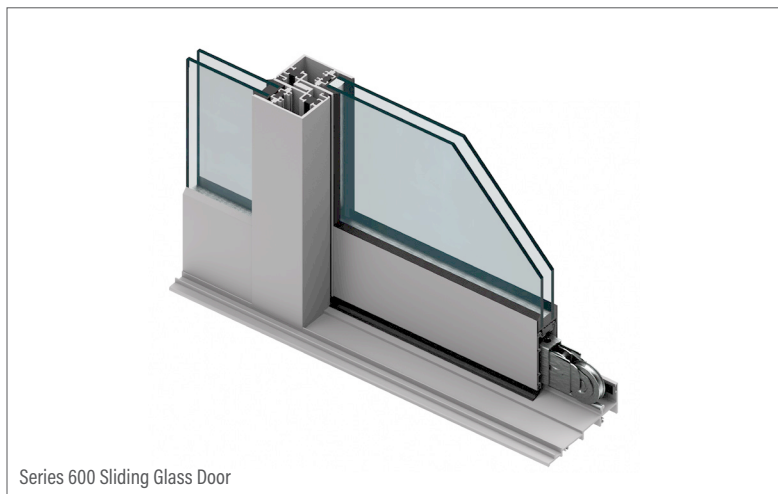
FINISHES AND COLORS

Finishes are available in-stock or as designer selections, and they can be customized to match nearly any color. Bronze Anodized and Satin Anodized come standard with a Class 1 coating thickness for increased smoothness and durability. Our designer colors include a high-quality paint finish that conforms to a minimum rating of AAMA-2605, currently the highest rating for organic finishes.

PERFORMANCE

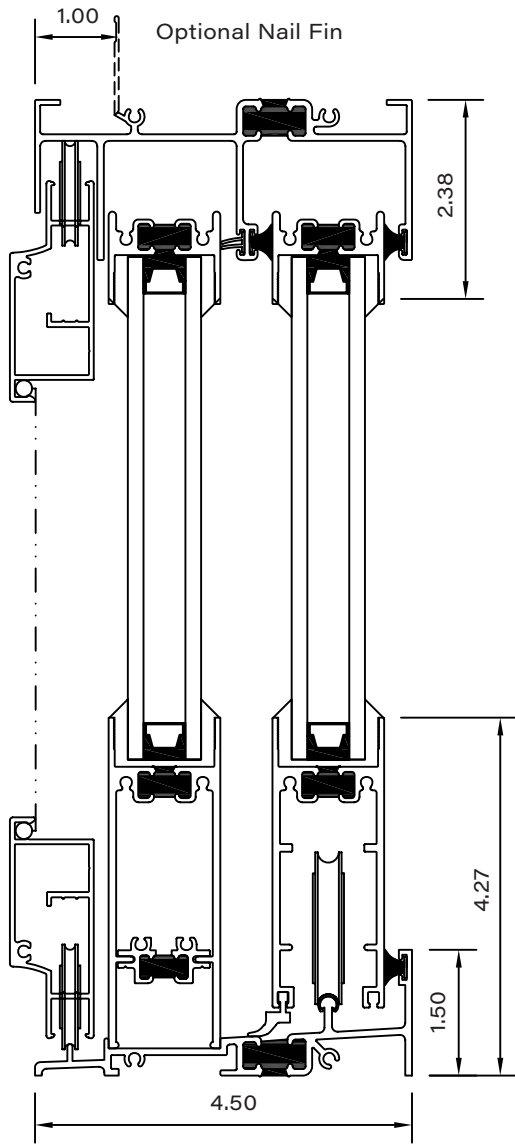
Frame Depth	4 1/2"
AAMA Product Designation (AAMA/WDMA/CSA101/I.S.2/A440 Designation)	LC-PG30-144x96-SD
Test Configuration	144" x 96" OXO
Air Infiltration (Per ASTM E 283)	.26 cfm/sf @1.57 psf
CSA A440 Air	N/A
Water Resistance (Per ASTM E 547)	4.59 psf
Uniform Load Deflection (Per ASTM E 330)	30 psf
Uniform Load Structural (Per ASTM E 330)	45 psf
Forced Entry Resistance	ASTM F842 Type C Grade 10
U-Factor (Per NFRC 100)*	0.41
CR (Per NFRC 500)*	38
CRF Frame (Per AAMA 1503)	46

Actual values may vary depending on product specifications and configuration.
*Glass Makeup = 1" OA E366/Argon/Clear

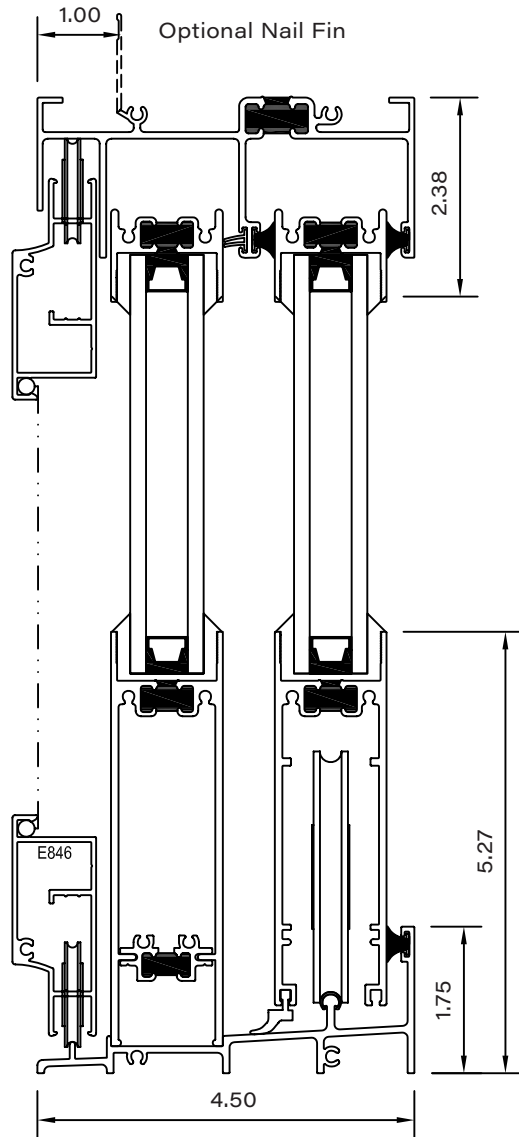


Series 600 Sliding Glass Door

Series 600 Sliding Glass Door

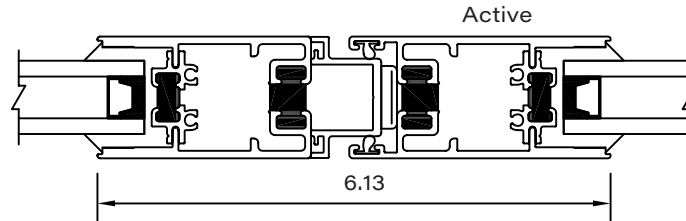


vertical section with 1.81" diameter rollers and 1.50" threshold

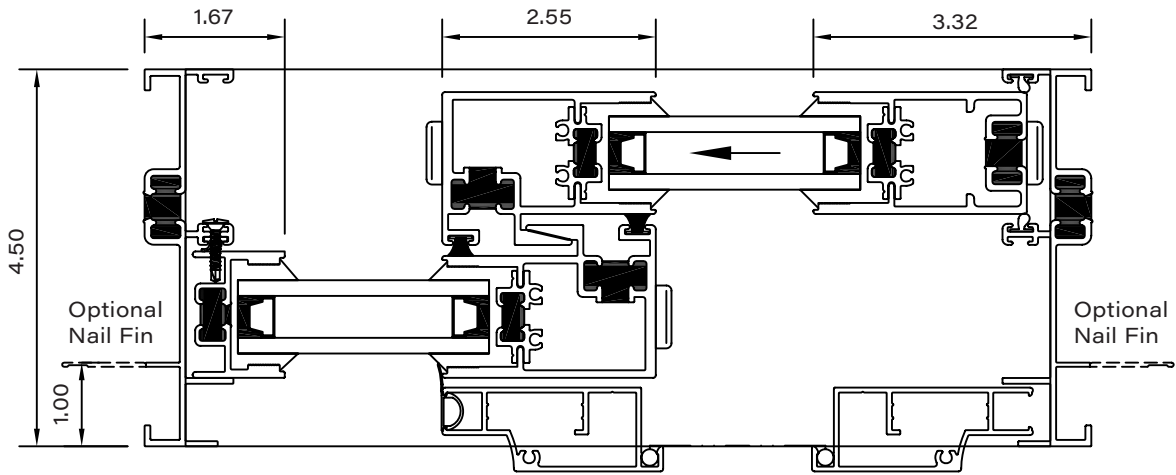


vertical section with 3.00" diameter rollers and 1.75" threshold

Series 600 Sliding Glass Door



bi-parting condition



horizontal section OX