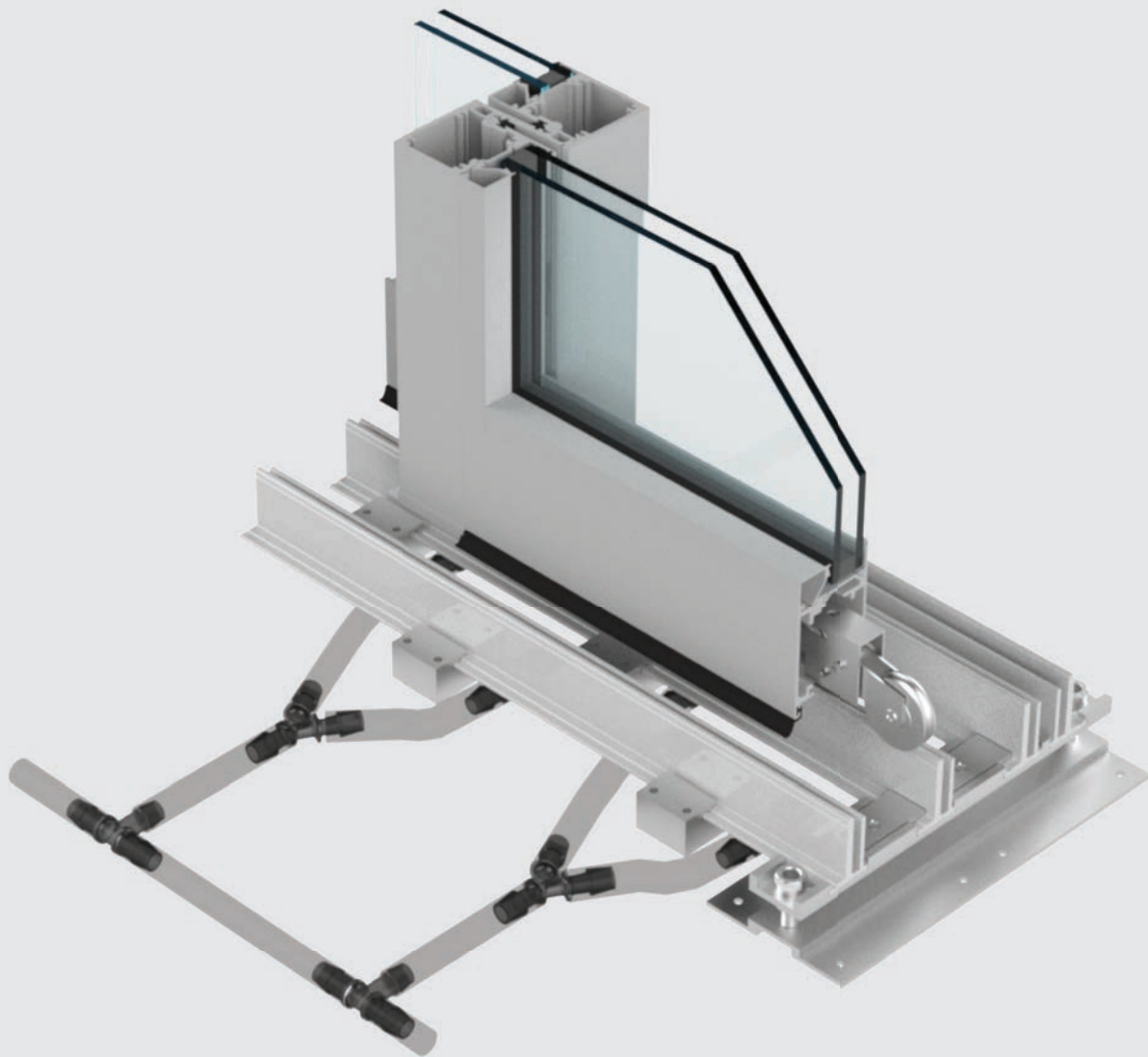


# Series 7600 Thinline Water Management Multi-Slide Door



## Build Better

**PERFORMANCE LINE:** Our Series 7000 family of moving glass walls and windows addresses energy, structural, and water performance requirements while promoting contemporary design.

# Series 7600 Thinline Water Management Multi-Slide Door

The Series 7600 Thinline Water Management Multi-Slide Door features large, unobstructed rolling glass panels that stack flush to create extra-wide openings with seamless flooring transitions to connect indoor-outdoor commercial and living spaces. And even with extreme panel sizes, it is easy to operate, thanks to high-performance sealed bearing polymer rollers. The aluminum frame's clean lines, narrow profile, and high-quality anodized or painted finishes deliver a contemporary aesthetic that seamlessly blends into nearly any space, while managing water penetration through an innovative hidden subfloor drain system.

## ENERGY EFFICIENCY

A .30 U-value for standard low-E, argon-filled dual-pane glass from Cardinal IG gives the door premium energy efficiency. It is compliant with California's rigorous Title 24 requirements and can be customized in a variety of panel counts, configurations, and wall depths. The aluminum frame and panels are thermally broken to reduce heat and cold transfer. NFRC labeling is included to comply with energy code requirements.

## HARDWARE

The high-performance sealed bearing polymer rollers are capable of handling extreme panel sizes and heavy glass types. A hidden stainless steel multi-point lock secures the sliding panels.

## OPTIONS

Handle options include a flush-mounted handle, which allows panels to slide past each other and stack flush. The contemporary handle features a minimal one-piece design and comfortable grip. Both handles have an optional keyed cylinder.

## FINISHES AND COLORS

Finishes are available in-stock or as designer selections, and they can be customized to match nearly any color. Split finishes are available in many combinations. Bronze Anodized and Satin Anodized come standard with a Class 1 coating thickness for increased smoothness and durability. Our designer colors include a high-quality paint finish that conforms to a minimum rating of AAMA-2605, currently the highest rating for organic finishes.

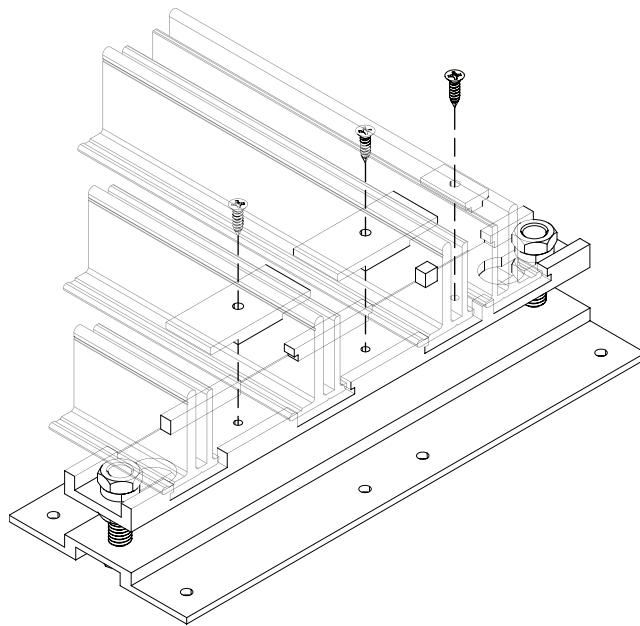
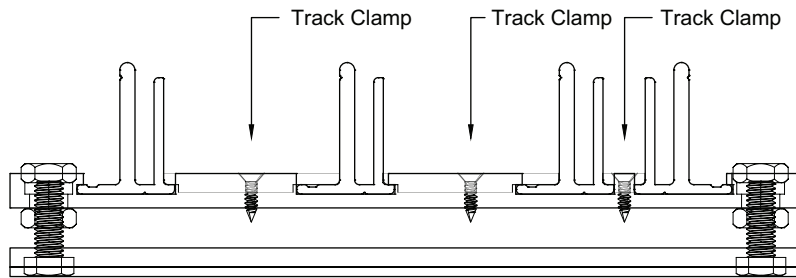
## PERFORMANCE

Frame Depth	2.87" Per Track
AAMA Product Designation (AAMA/WDMA/CSA101/I.S.2/A440 Designation)	CW-PG50 - 108" x 84"- SD
Test Configuration	108" x 84" XXO
Air Infiltration (Per ASTM E 283)	0.06 cfm/sf @1.57 psf
Water Resistance (Per ASTM E 547)	9.0 psf
Uniform Load Deflection (Per ASTM E 330)	50 psf
Uniform Load Structural (Per ASTM E 330)	75 psf
Forced Entry Resistance	ASTM F842 Type B Grade 10
U-Factor (Per NFRC 100)*	0.30
CR (Per NFRC 500)*	57
CRF Frame (Per AAMA 1503)	69
Actual values may vary depending on product specifications and configuration. *Glass Makeup = 1" OA E366/Argon/Clear	



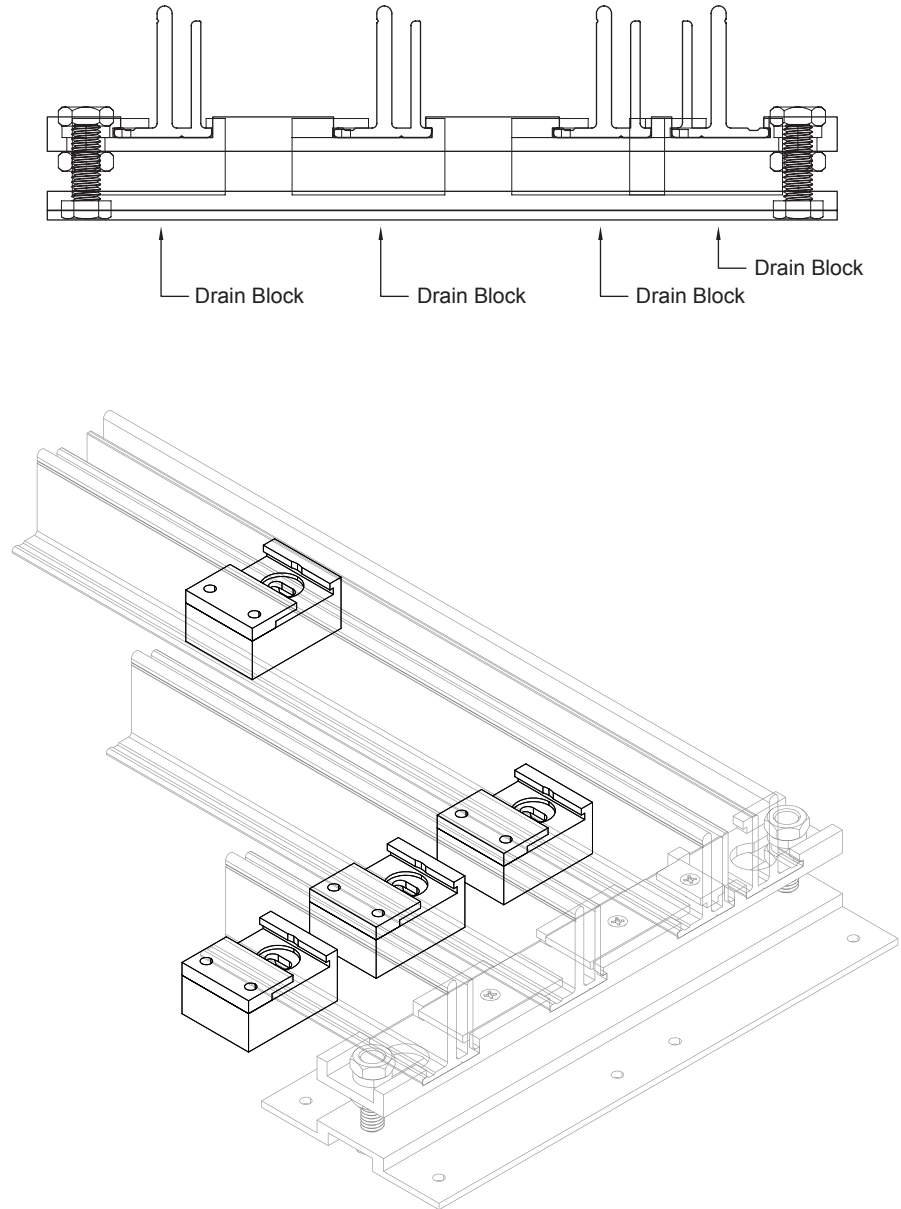
Series 7600 Thinline Water Management Multi-Slide Door

# Series 7600 Thinline Water Management Multi-Slide Door



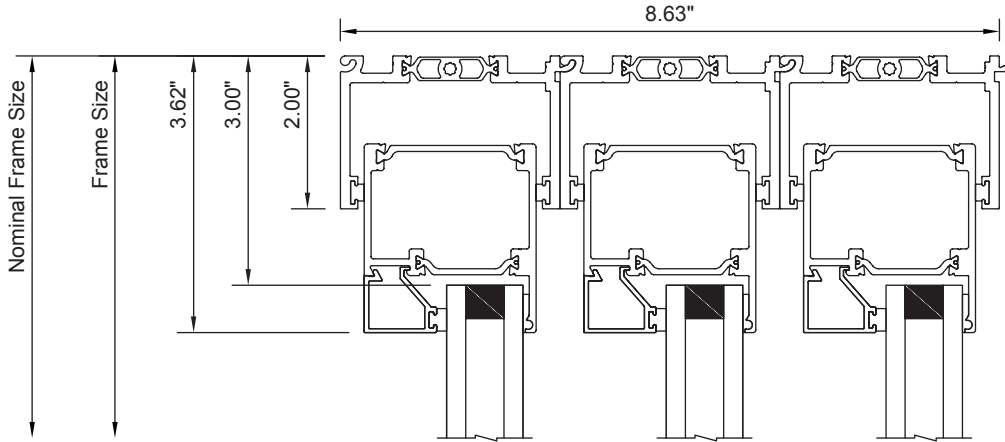
Threshold Condition at Track Clamps

# Series 7600 Thinline Water Management Multi-Slide Door

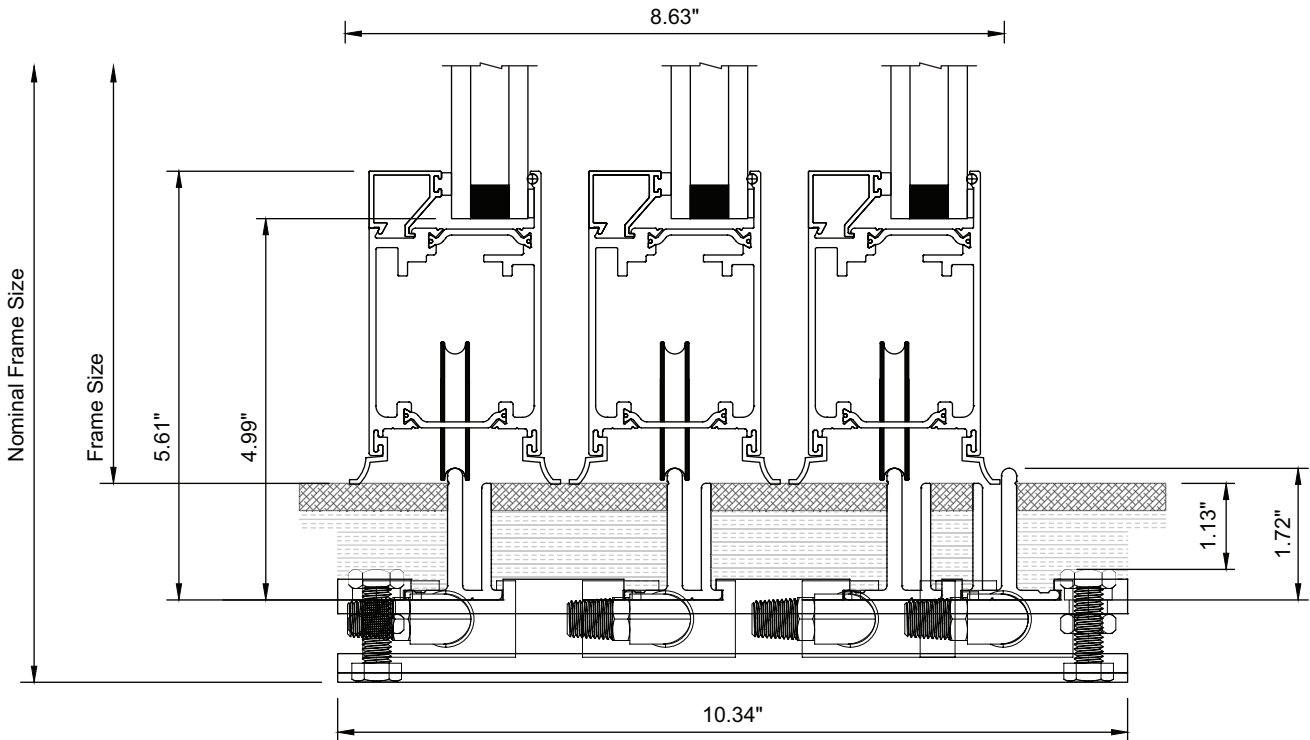


Threshold Condition at Drain Block

# Series 7600 Thinline Water Management Multi-Slide Door

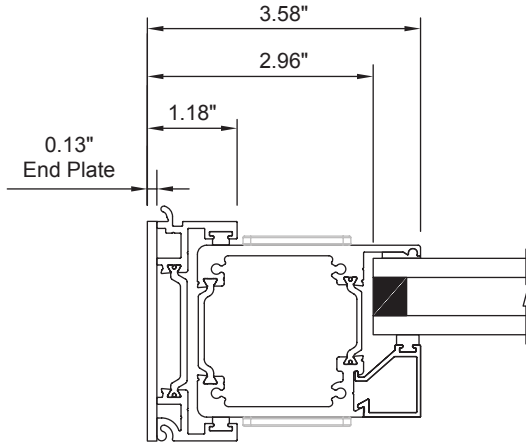


Head Condition

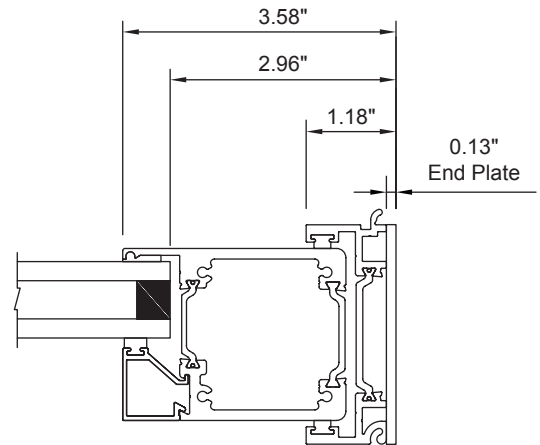


Threshold Condition

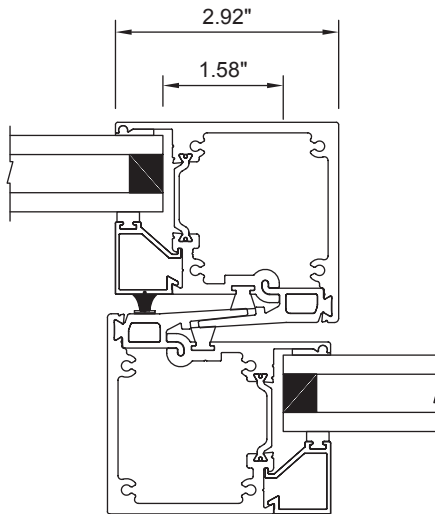
# Series 7600 Thinline Water Management Multi-Slide Door



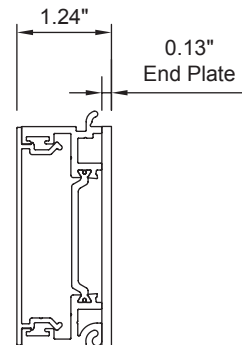
Left Jamb Condition



Right Jamb Condition

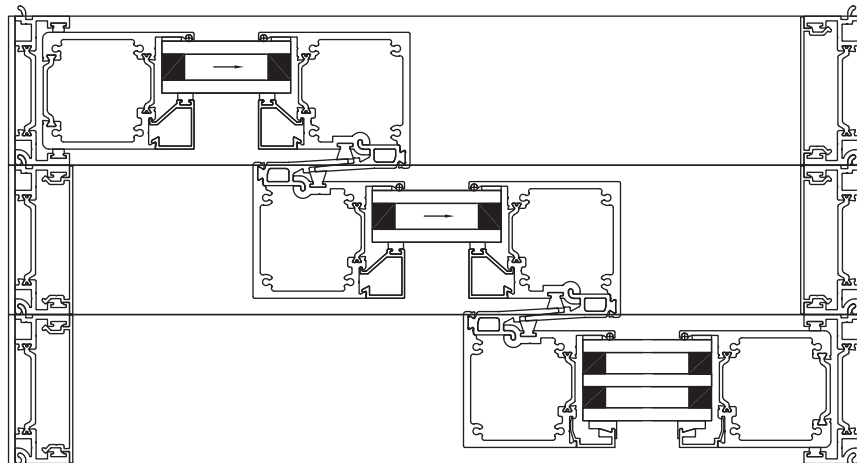


Interlocking Condition



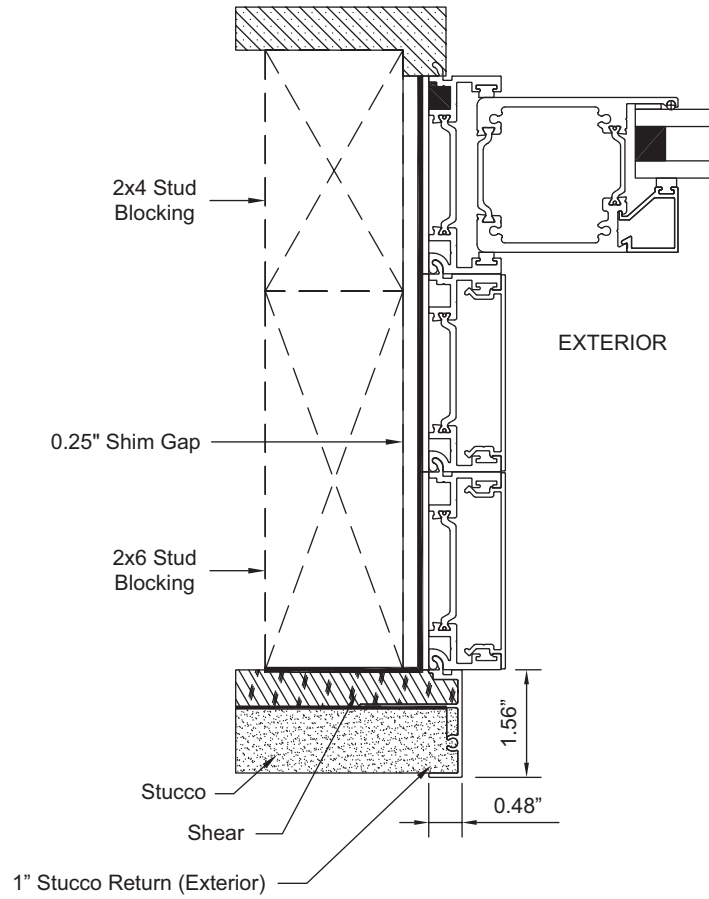
Full Jamb Condition TYP

# Series 7600 Thinline Water Management Multi-Slide Door



Horizontal Section of  
3-Panel Stacking Door or 2XO

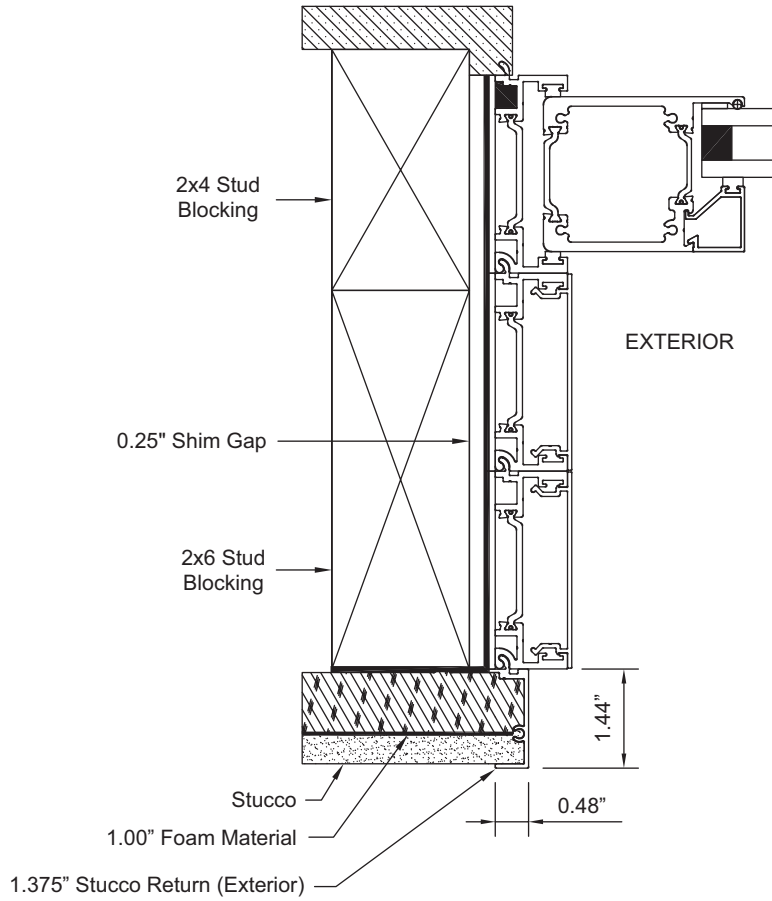
# Series 7600 Thinline Water Management Multi-Slide Door



1" Stucco Return Wall Construction Profile at Stud Multi-Slide Door Jamb Application



# Series 7600 Thinline Water Management Multi-Slide Door



1.375" Stucco Return Wall Construction Profile at Stud Multi-Slide Door Jamb Application