

# Series 980 Pivot Door



## Build Better

**CLASSIC LINE:** High-quality moving glass walls and windows that combine exceptional performance with clean design.

# Series 980 Pivot Door

The Series 980 Pivot Door creates what may be the most impressive way to customize an entryway. Its wide glass panel and attractive aluminum frame connotes contemporary grandeur. For commercial use, a 4.5" frame depth is comparable to that of typical storefront systems. Even massive doors weighing up to 500 pounds open and close with ease. The door is available in in-swing or out-swing configurations and can be partnered with any of our window styles.

## ENERGY EFFICIENCY

A .68 U-value for standard low-E, argon-filled dual-pane glass gives the door good energy efficiency. Glass can be customized in a variety of coatings, tints, and thicknesses for improved privacy, protection, and thermal efficiency.

## HARDWARE

Our custom pivot hardware supports the weight of the door on the bottom arm, creating less stress on the frame and allowing the door to swing smoothly and effortlessly. The Series 980 uses a low-profile commercial threshold capable of meeting ADA requirements. It includes a Type C lock, top and bottom roller catches to help pull the door in tight, and a 48" tall ladder-style pull handle.

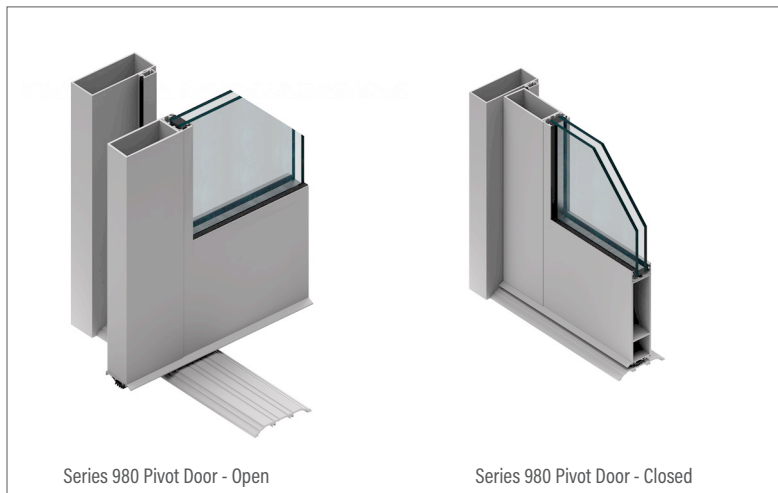
## FINISHES AND COLORS

Finishes are available in-stock or as designer selections, and they can be customized to match nearly any color. Bronze Anodized and Satin Anodized come standard with a Class 1 coating thickness for increased smoothness and durability. Our designer colors include a high-quality paint finish that conforms to a minimum rating of AAMA-2605, currently the highest rating for organic finishes.

## PERFORMANCE

Frame Depth	4 1/2"
AAMA Product Designation (AAMA/WDMA/CSA101/I.S.2/A440 Designation)	N/A
Test Configuration	N/A
Air Infiltration (Per ASTM E 283)	N/A
CSA A440 Air	N/A
Water Resistance (Per ASTM E 547)	N/A
Uniform Load Deflection (Per ASTM E 330)	N/A
Uniform Load Structural (Per ASTM E 330)	N/A
Forced Entry Resistance	N/A
U-Factor (Per NFRC 100)*	0.68
CR (Per NFRC 500)*	13
CRF Frame (Per AAMA 1503)	27

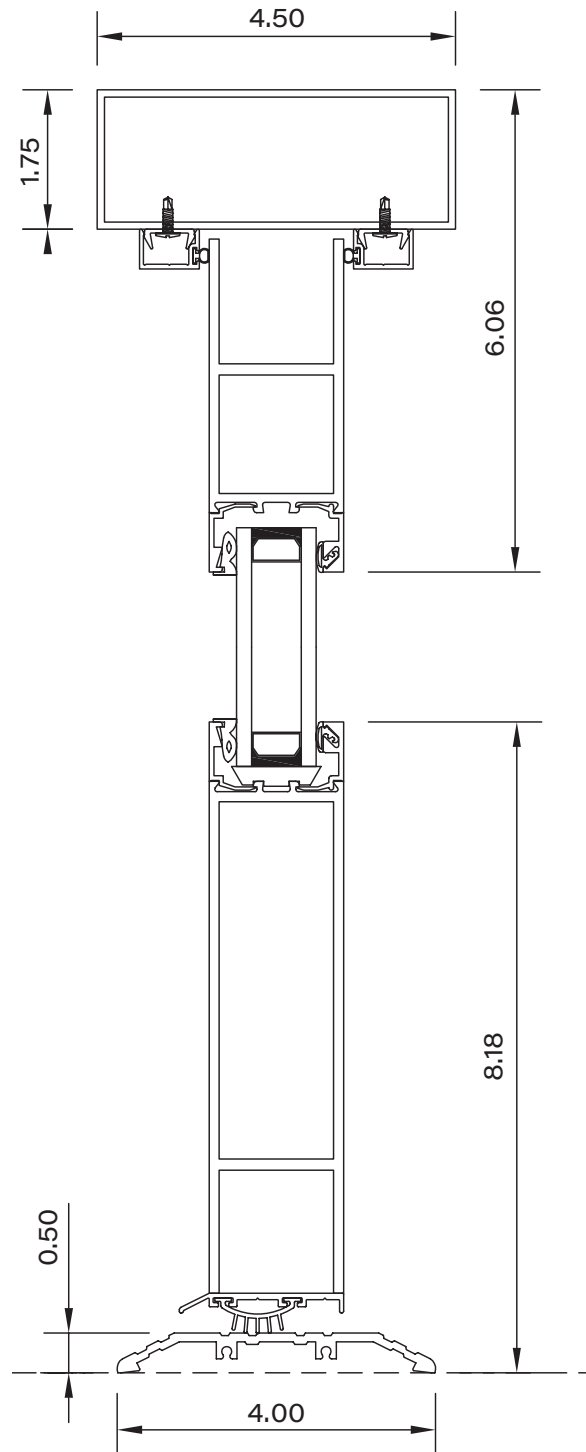
Actual values may vary depending on product specifications and configuration.  
\*Glass Makeup = 1" OA E366/Argon/Clear



Series 980 Pivot Door - Open

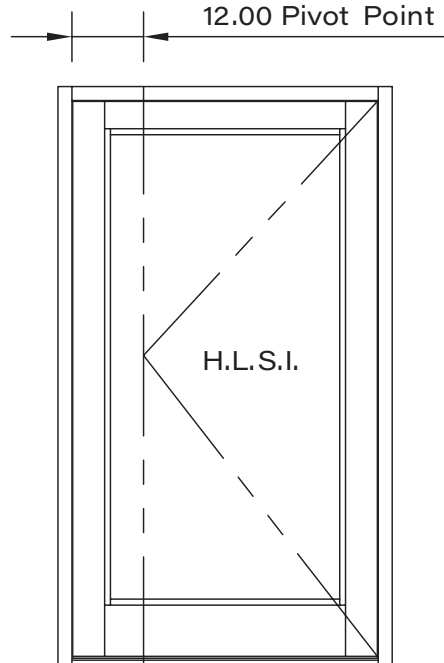
Series 980 Pivot Door - Closed

# Series 980 Pivot Door

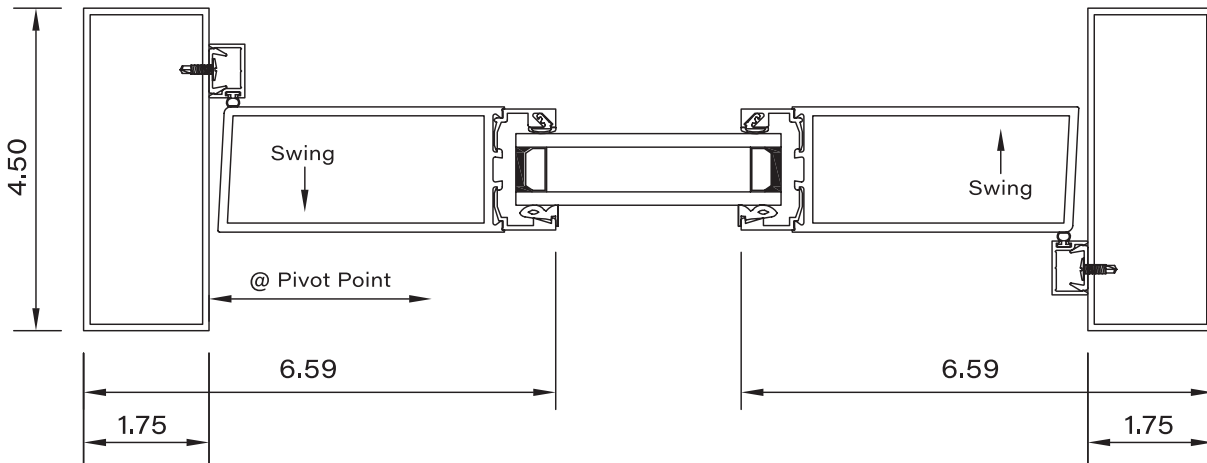


medium stile at swing in

# Series 980 Pivot Door



multiple pivot points are available



swing in - floor plan view