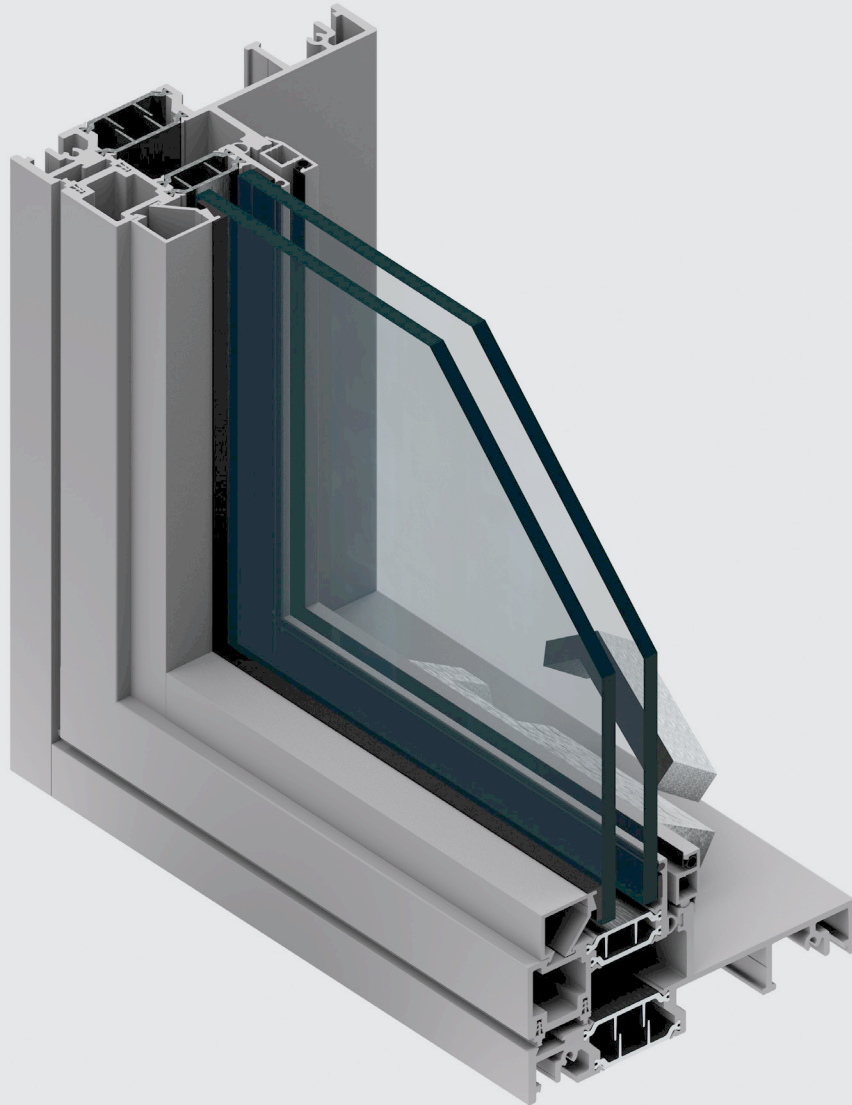


Series 7660 Awning Window



Build Better

PERFORMANCE LINE: Our Series 7000 family of moving glass walls and windows addresses energy and structural requirements while promoting contemporary design.

Series 7660 Awning Window

The Series 7660 Awning Window hinges on the top and opens outward from the bottom. Typically wider than it is tall, the awning window is ideal for providing natural light and ventilation in modern configurations. It combines clean design and optimal performance with a commitment to superior craftsmanship. Designed with a 5.875" frame depth (ideal for security glass and noise reduction), it can be integrated with our hinged doors, sliding doors, and fixed window walls for maximum views and ventilation. It is available in widths from 20" to 60" and heights from 18" to 48". The window is tested for air, water, and structural performance and is certified by the NFRC and AAMA.

ENERGY EFFICIENCY

A .36 U-value for standard low-E, dual-pane glass gives the window excellent energy efficiency. Glass can be customized in a variety of coatings, tints, and thicknesses for improved privacy, protection, and thermal efficiency. Plus, a signature aluminum extrusion design utilizing custom Insulbar technology further reduces energy consumption. The windows comply with California's strict Title 24 requirements.

FEATURES

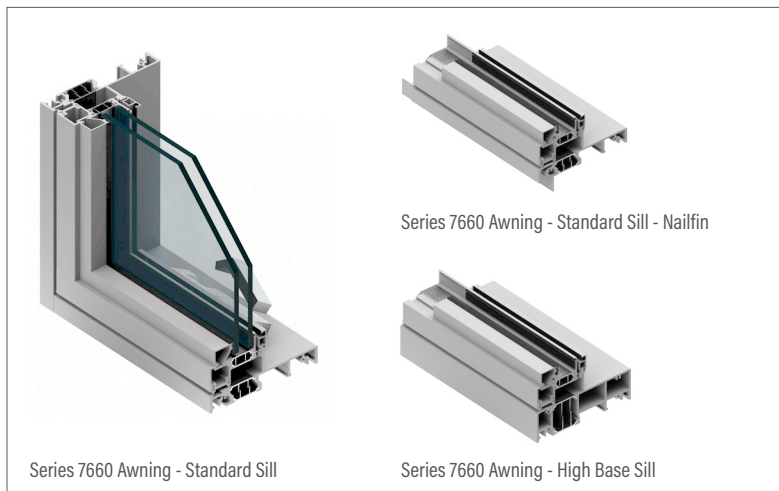
A double scissor-arm operator enables easy operation. All fasteners are stainless steel, and the Series 7660 Awning features a hidden multi-point locking system. Designed to create a sleek profile, the Series 7660 features new hinge hardware and contemporary handles. Durable aluminum-frame screens complement the window's clean, contemporary style. Screen frames match the window frame's color and are mounted to the interior.

FINISHES AND COLORS

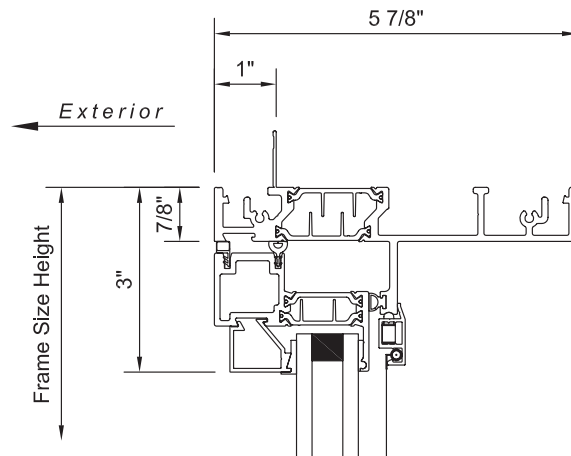
Finishes are available in-stock or as designer selections, and they can be customized to match nearly any color. Split finishes are available in many combinations. Bronze Anodized and Satin Anodized come standard with a Class 1 coating thickness for increased smoothness and durability. Our designer colors include a high-quality paint finish that conforms to a minimum rating of AAMA-2605, currently the highest rating for organic finishes.

PERFORMANCE

Frame Depth	5 7/8"
AAMA Product Designation (AAMA/WDMA/CSA101/I.S.2/A440 Designation)	CW-PG60-60x36-AP
Test Configuration	60" x 36" X
Air Infiltration (Per ASTM E 283)	.06 cfm/sf @1.57 psf
CSA A440 Air	A3
Water Resistance (Per ASTM E 547)	9.2 psf
Uniform Load Deflection (Per ASTM E 330)	60 psf
Uniform Load Structural (Per ASTM E 330)	90 psf
Forced Entry Resistance	ASTM F588 Type B and CAWM 301 Type II
U-Factor (Per NFRC 100)*	0.36
CR (Per NFRC 500)*	61
CRF Frame (Per AAMA 1503)	70
Actual values may vary depending on product specifications and configuration. *Glass Makeup = 1" OA E366/Argon/Clear	

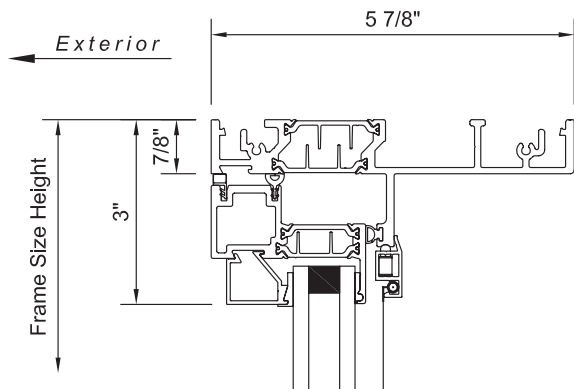


Series 7660 Awning Window

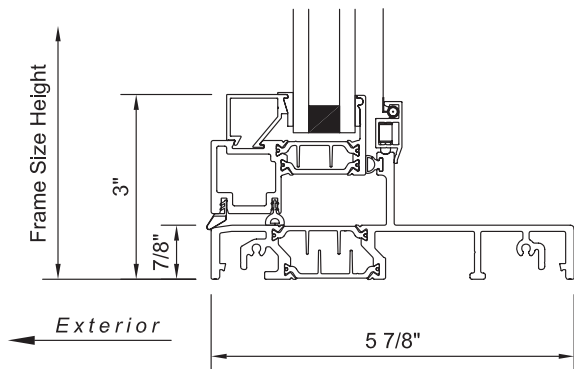


series 7660 awning and series 7670 casement window head - nail fin frame

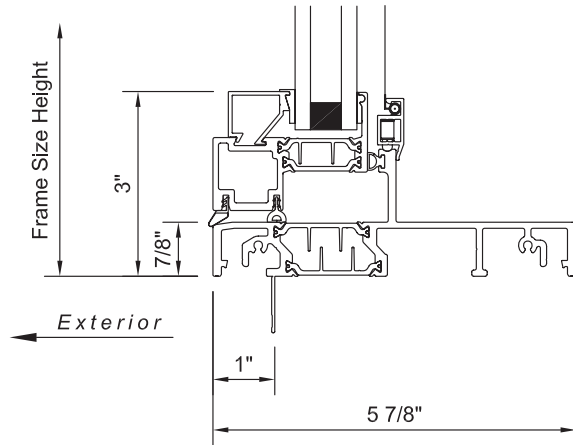
Series 7660 Awning Window



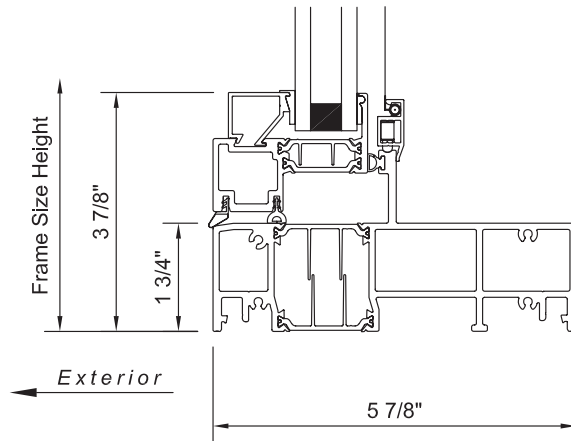
series 7660 awning and series 7670 casement window head - equal leg block frame



series 7660 awning and series 7670 casement window sill - equal leg block frame

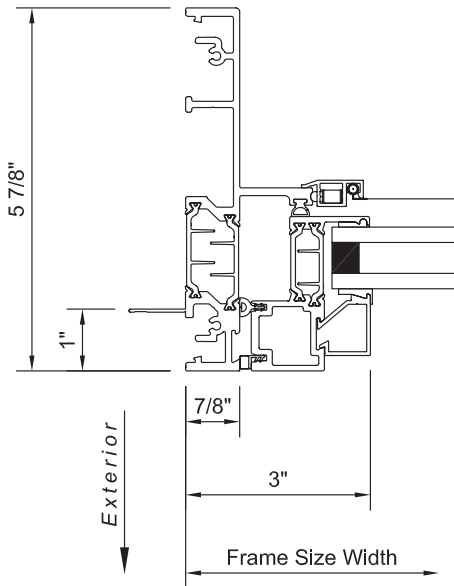


series 7660 awning and series 7670 casement window sill - nail fin frame

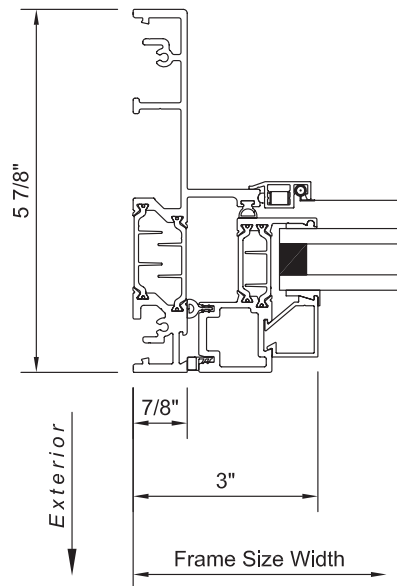


series 7660 awning and series 7670 casement window sill - equal leg block high frame

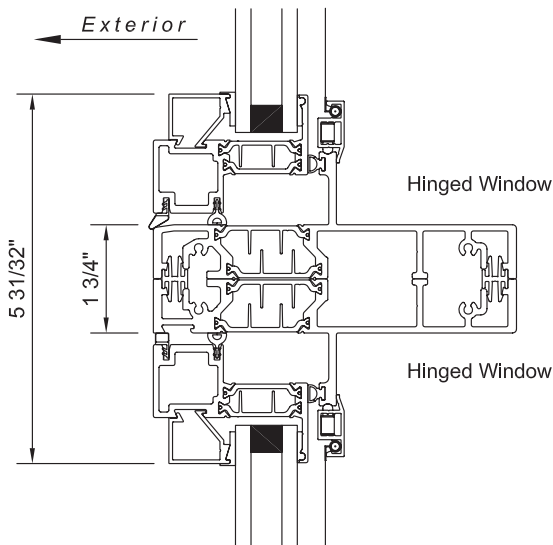
Series 7660 Awning Window



series 7660 awning and series 7670 casement window jamb - nail fin frame

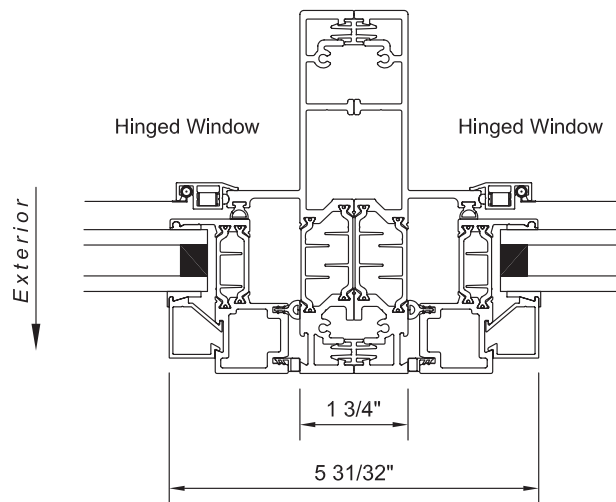


series 7660 awning and series 7670 casement window jamb - equal leg block frame



series 7660 awning and series 7670 casement window horizontal mull

Series 7660 Awning Window



series 7660 awning and series 7670 casement window
vertical mull